

Fireye Nexus™ Bracket and Coupling Accessories

DESCRIPTION

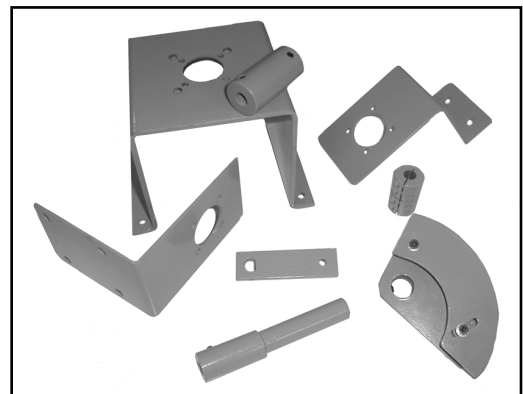
Fireye's extensive line of mounting hardware and shaft couplings make applying both the Nexus NX and PPC series of parallel positioning controllers nearly fool proof. Fireye's unique "D" hole coupling design virtually eliminates the possibility of the servomotor and shaft slipping. Fireye couplings do not rely on setscrews on the shaft to maintain proper connection, because the flatted or "D" hole design is a perfect fit to Fireye servo motor shafts. The shaft end also has a "D" hole and when used with the available filing guide, make a perfect fit here as well.

All Fireye mounting brackets are made of heavy gauge steel and powder coated for a durable finish. All motor mounting holes are kept to close tolerances to lessen the amount of movement should the motor mounting bolts become loosened.

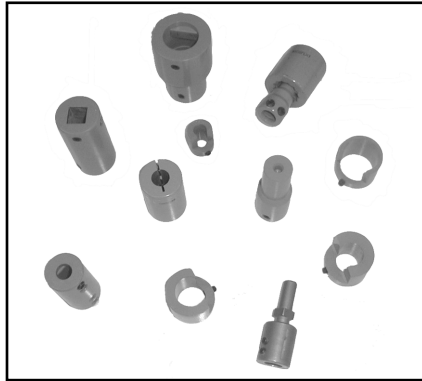
Where direct coupling of the motor to the valve or air damper is impractical, Fireye offers several Industrial Crank Arms.

Cleaver Brooks

Fireye offers a complete series of kits to make retrofit of Cleaver Brooks boilers easy. Each kit is designed to reuse the Cleaver Brooks oil metering valve or gas butterfly valve. This assures the installer an incorrectly designed or sized replacement valve will not compromise the firing rate. The gas/oil kit comes complete with a replacement oil cam and shaft coupling that replaces the OEM cam eliminating the intermediate adjusting screws and spring. The gas valve bracket fits the bolt pattern after removal of the over travel hardware. Air register drive arm and bracket. Optional FGR kit is also available for the "LE" style boiler.



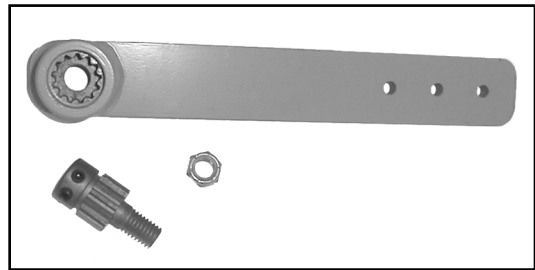
Couplings



Fireye offers an extensive line of servomotor shaft couplings. Each coupling has flattened “D” holes on both the motor and driven shaft end. Available in a wide range of sizes these couplings, when used with the available shaft filing guide, assure a direct connection that will not rotate even if the setscrews loosen. For FGR damper applications, where thermal expansion of the damper shaft may cause thrust loading of the motor shaft, Fireye offers a unique expandable flexible coupling.

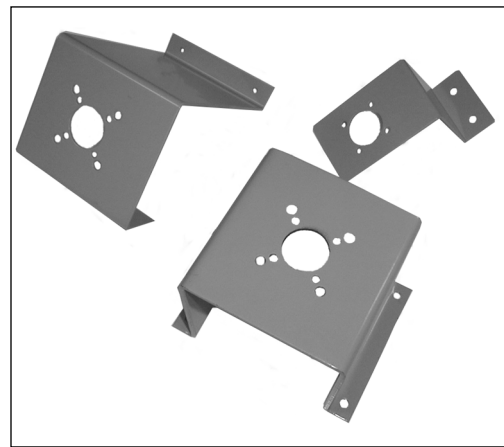
Industrial Crank Arms

For applications that do not lend themselves to a direct connection between the servomotor and the shaft Fireye’s industrial crank arms can be used. These arms consist of a splined “D” hole mounting hub and arm. The hub provides for thirteen separate mounting positions allowing the arm to be oriented properly. Tightening a small setscrew in the arm eliminates any slight play between the hub and arm. This setscrew is located so as to fit between spline teeth in the hub. The arm is secured to the hub by a lock nut. Each arm has three pivot holes; 3, 4 and 5 inches and 6, 7 and 8 inches



Custom Brackets and Couplings

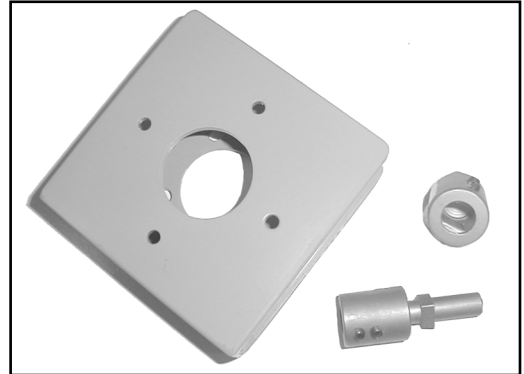
Fireye has provided custom brackets for a variety of applications. We can fabricate to your specifications.



Honeywell V5197

Fireye servomotors can be fitted directly to the modular V5197 series valves. The Fireye mounting bracket has assembly holes for attaching to the valve body. The bracket comes with the correct coupling with square section and “D” hole for the motor end. The motor can be mounted in four positions for ease in wiring.

To assist the user in the operation of this software program, the technical bulletins for both the Nexus and the PPC5000 Controller should be reviewed.





Fireye Part No.	Description
NXC BG3FT	Cleaver Brooks Firetube, Gas Only, 3 Inch Gas Valve
NXC BOFT	Cleaver Brooks Firetube, Oil Only
NXC BG03FT	Cleaver Brooks Firetube, Gas/Oil, 3 Inch Gas Valve
NXC BG4FT	Cleaver Brooks Firetube, Gas Only, 4 Inch Gas Valve
NXC BG04FT	Cleaver Brooks Firetube, Gas/Oil, 4 Inch Gas Valve
NXC BFR	Cleaver Brooks Firetube FGR Bracket with Coupling
NXC BG3WT	Cleaver Brooks Watertube, Gas Only, 3 Inch Gas Valve
NXC BOWT	Cleaver Brooks Watertube, Oil Only
NXC BG03WT	Cleaver Brooks Watertube, Gas/Oil, 3 Inch Gas Valve
NXC BG4WT	Cleaver Brooks Watertube, Gas Only, 4 Inch Gas Valve
NXC BG04WT	Cleaver Brooks Watertube, Gas/Oil, 4 Inch Gas Valve
NXC BOSFT5	Cleaver Brooks Oil Cam Shaft 5 in.
NXC BOSFT12	Cleaver Brooks Oil Cam Shaft 12 in.
NXC GLX34	General Purpose Expandable/Flexible Coupling 12mm X 3/4in.
NXC G1238	General Purpose Coupling 12mm X 3/8in.
NXC G1212	General Purpose Coupling 12mm X 1/2in.
NXC G1234	General Purpose Coupling 12mm X 3/4in.
NXC G12100	General Purpose Coupling 12mm X 1.0in.
NXICA345	Industrial Crank Arm 12mm X 5 in.
NXICA678	Industrial Crank Arm 12mm X 8 in.
NXC G1212SQ	General Purpose Coupling 12mm X 1/2in. Square Socket
NXVB5197K	Honeywell 5197 Series Valve bracket and Coupling
NXFG3800	Shaft Filing Guide for 3/8 in shaft size
NXFG1200	Shaft Filing Guide for 1/2 in shaft size
NXFG3400	Shaft Filing Guide for 3/4 in shaft size
NXFG1000	Shaft Filing Guide for 1.0 in shaft size
NXFG1200	Shaft Filing Guide for 1/2 in shaft size
NXFG3400	Shaft Filing Guide for 3/4 in shaft size
NXFG1000	Shaft Filing Guide for 1.0 in shaft size

For mounting brackets or couplings not listed here, consult the factory. The receive a quote for custom brackets or couplings, please provide a detailed sketch with dimensions and fax to Fireye, Derry New Hampshire attention applications engineerin



FIREYE®
3 Manchester Road
Derry, New Hampshire 03038 USA
www.fireye.com

NEXBK-1000
NOVEMBER 2004

