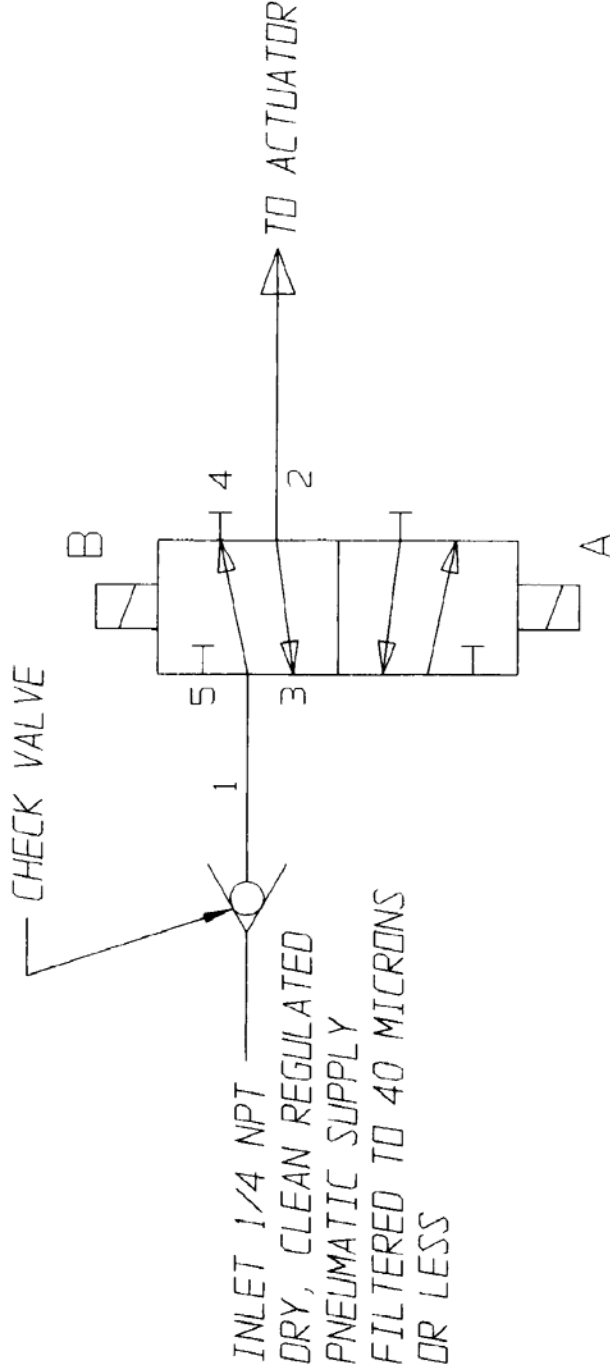


THIS DOCUMENT IS THE PROPERTY OF ITT ENGINEERED VALVES AND IS LOANED SUBJECT TO RETURN. IT IS ISSUED IN STRICT CONFIDENCE AND SHALL NOT BE REPRODUCED, OR COPIED, OR DISCLOSED IN WHOLE OR IN PART, OR USED AS THE BASIS FOR THE MANUFACTURE OR SALES OF APPARATUS WITHOUT THE EXPRESS WRITTEN CONSENT OF ITT ENGINEERED VALVES.

PORTS	
SUPPLY	1 IN
ACTUATOR	2 A
CYL EXH	3 EA
PLUG	4 B
PLUG	5 EB

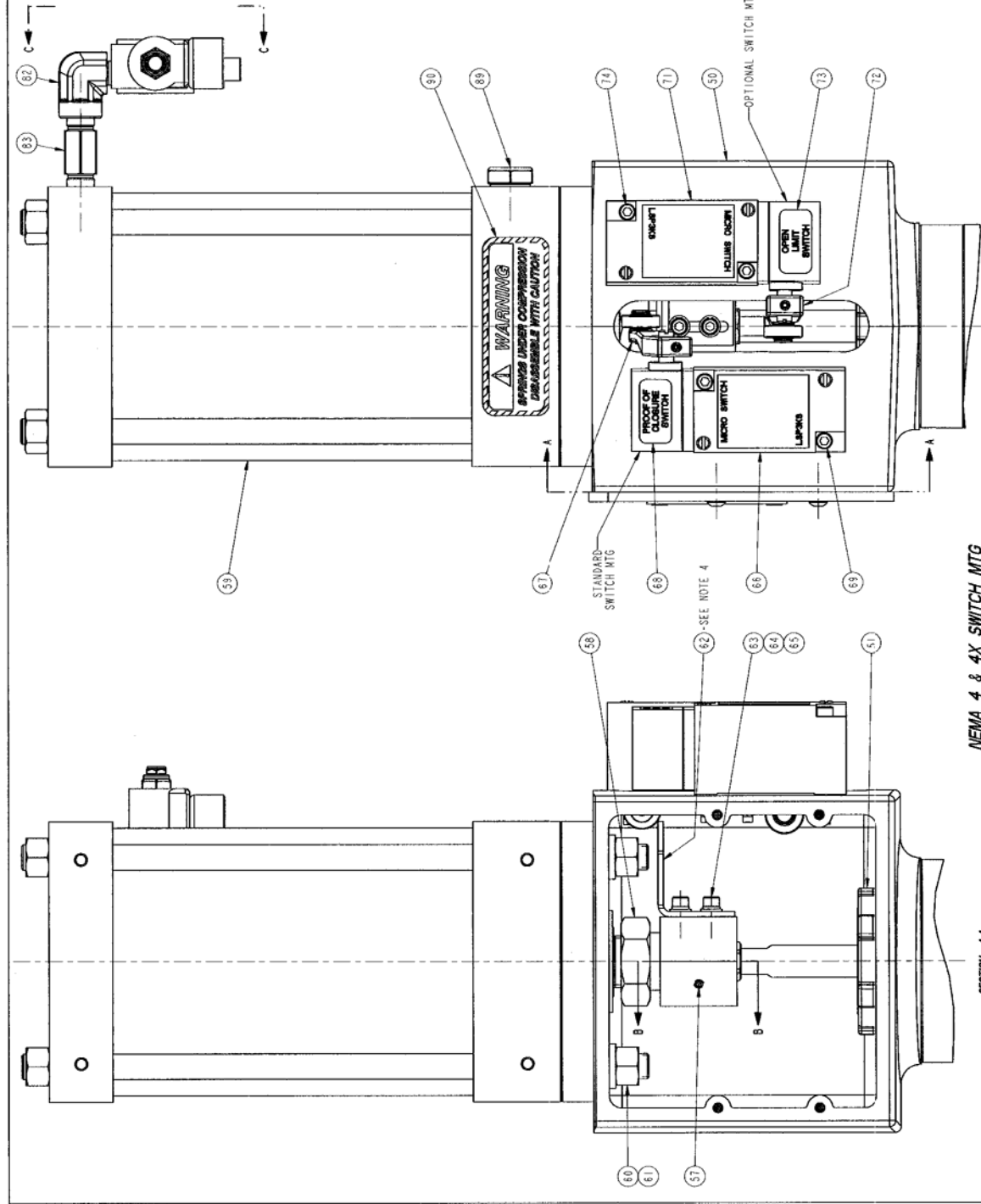


NOTES:
1. VALVE SHOWN WITH COIL B LAST ENERGIZED.

ECN# 3575

PART NO. - PATTERN NO. -

PNEUMATIC SUPPLY GAS BURNER VALVE T4100 FAIL IN LAST - SUPERSEDES:-	ITT Engineered Valves ITT Fluid Technology Corporation Lancaster, Pa SHEET 1 OF 1		REV -	
	SIZE A	DRAWING NUMBER 117624	REV -	
TOLERANCES EXCEPT AS NOTED DECIMALS .XX ± .02 .XXX ± .005 ANGLES ± .50° REMOVE ALL BURRS AND SHARP EDGES ALL MACHINED SURFACES TO BE 125° EXCEPT AS NOTED	WEIGHT -	SCALE NTS	DATE 4/22/88 JDU	BY JDU
	CHKD 4/22/88 JMC	APVD 4/22/88 JMC		



ITEM	QTY.	DESCRIPTION
50	1	YOKER
51	1	NUT-LOCK
52	1	NUT-SPHERICAL FLANGE 0.38-1.6
53	1	WASHER-SPHERICAL 0.38
54	1	WASHER-FL 1.40 x 0.80 x 0.66
55	1	ADAPTER-COLLING
56	1	SEAL-LENS
57	1	SEAL-LENS 1.92 x 0.38
58	1	NUT-HEX 1.00 x 1.4
59	1	ACTUATOR
60	4	NUT-HEX 0.50-2.0
61	1	LOCKWASHER-SPRING 0.50
62	1	BRACKET-SWITCH
63	2	CAPSCR-HXSK 10-32 x 0.38
64	2	WASHER-PLAIN 10 TYPE B MAR
65	2	WASHER-PLAIN 10 TYPE B MAR
66	1	SWITCH-MICRO LSP3K (NEMA 4)
67	1	SWITCH-MICRO LS2H4K3 (NEMA 4X)
68	1	SWITCH-MICRO LSP3K3 (NEMA 4)
69	1	SWITCH-MICRO LSP3K3 (NEMA 4)
70	1	SWITCH-MICRO LSP3K (NEMA 4)
71	1	SWITCH-MICRO LSP3K (NEMA 4)
72	1	SWITCH-MICRO LSP3K (NEMA 4)
73	1	SWITCH-MICRO LSP3K (NEMA 4)
74	1	SWITCH-MICRO LSP3K (NEMA 4)
75	1	SWITCH-MICRO LSP3K (NEMA 4)
76	1	SWITCH-MICRO LSP3K (NEMA 4)
77	1	SWITCH-MICRO LSP3K (NEMA 4)
78	1	SWITCH-MICRO LSP3K (NEMA 4)
79	1	SWITCH-MICRO LSP3K (NEMA 4)
80	1	SWITCH-MICRO LSP3K (NEMA 4)
81	1	SWITCH-MICRO LSP3K (NEMA 4)
82	1	SWITCH-MICRO LSP3K (NEMA 4)
83	1	SWITCH-MICRO LSP3K (NEMA 4)
84	1	SWITCH-MICRO LSP3K (NEMA 4)
85	1	SWITCH-MICRO LSP3K (NEMA 4)
86	1	SWITCH-MICRO LSP3K (NEMA 4)
87	1	SWITCH-MICRO LSP3K (NEMA 4)
88	1	SWITCH-MICRO LSP3K (NEMA 4)
89	1	SWITCH-MICRO LSP3K (NEMA 4)
90	1	SWITCH-MICRO LSP3K (NEMA 4)
91	1	SWITCH-MICRO LSP3K (NEMA 4)
92	1	SWITCH-MICRO LSP3K (NEMA 4)
93	1	SWITCH-MICRO LSP3K (NEMA 4)

- NOTES:
- FOR INLET VALVE ASSEMBLY, SEE DRAWINGS: 14200C - 118967, 14200C - 118024
 - RECOMMENDED SPARE PARTS
 - POSITION INDICATOR LABEL LOCATED AFTER LENS ATTACHMENT - ALIGNED WITH SWITCH BRACKET IN CLOSED VALVE POSITION
 - PAINT LEADING EDGE WITH RED PAINT FOR VISUAL INDICATION

ECN#16510

SECTION AA

NEMA 4 & 4X SWITCH MTG

UNLESS OTHERWISE SPECIFIED, ALL DIMENSIONS IN BRACKETS ARE MILLIMETERS. PATTERN NO. 11

THIRD ANGLE PROJECTION

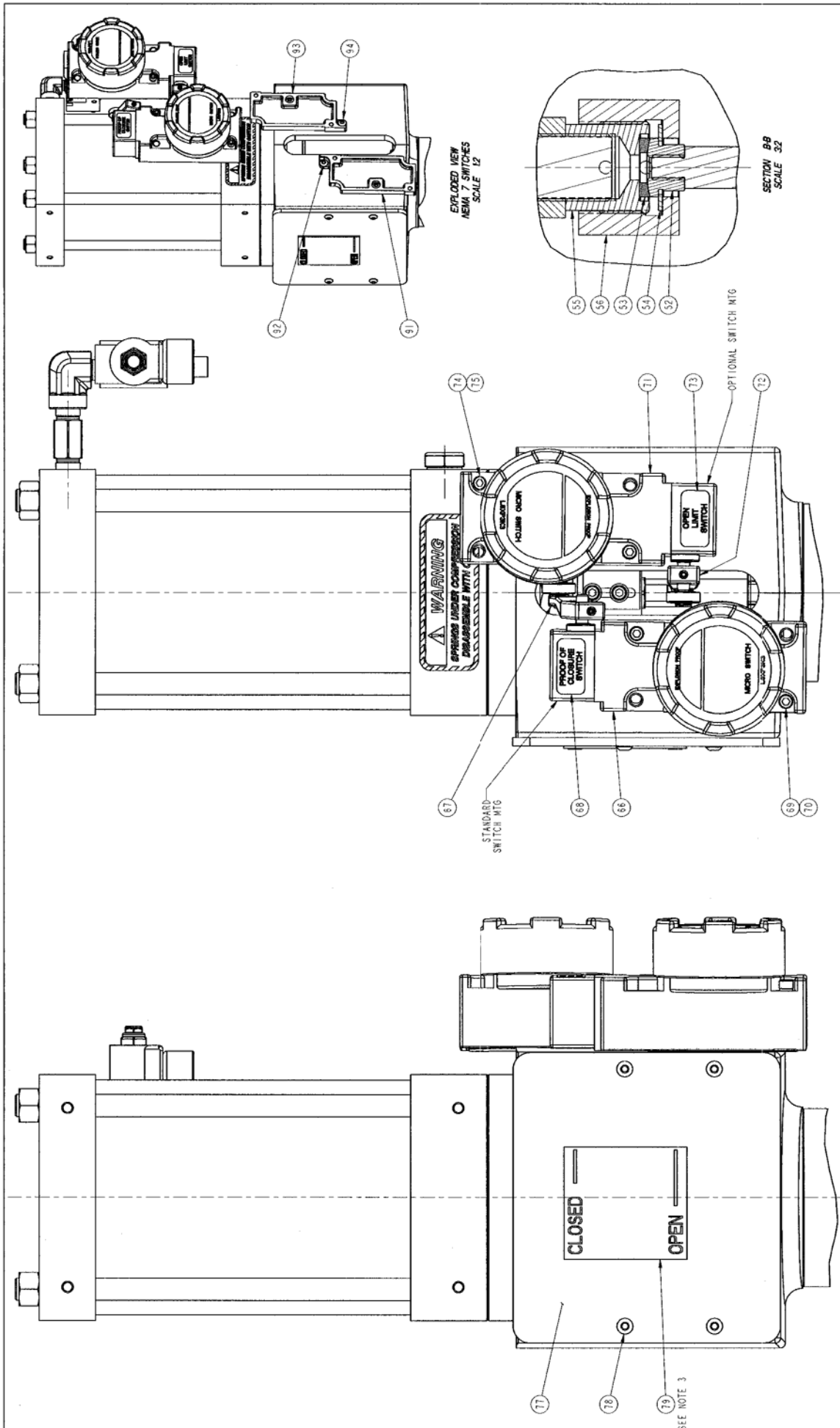
UNLESS OTHERWISE SPECIFIED, ALL DIMENSIONS ARE IN INCHES (FRACTIONS AND DECIMALS)

THIS DOCUMENT IS THE SOLE PROPERTY OF ITT INDUSTRIES, INC., OR ITS SUBSIDIARY, AND IS PROVIDED SUBJECT TO RETURN. IT IS ISSUED IN STRICT CONFIDENCE AND SHALL NOT BE REPRODUCED, OR COPIED, OR DISCLOSED IN WHOLE OR IN PART, OR USED AS THE BASIS FOR THE MANUFACTURE OR SALES OF APPARATUS OR PARTS TO WHICH THE DOCUMENT RELATES, WITHOUT THE EXPRESS WRITTEN CONSENT OF ITT INDUSTRIES, INC., OR ITS SUBSIDIARY. THIS LEGEND SHALL BE MARKED ON ANY REPRODUCTION HEREOF IN WHOLE OR IN PART. ALL RIGHTS TO THE INFORMATION AND DESIGN DISCLOSED HEREIN ARE RESERVED TO ITT INDUSTRIES, INC., OR ITS SUBSIDIARY.

REF. PARTS

IT Industries
Engineered Valve
Lancaster, PA, USA

TEST DATE: 11/19/22
SHEET REV: 1 OF 3 B



ECN# 6510

NEMA 7 SWITCH MTG

THIS DOCUMENT IS THE SOLE PROPERTY OF ITT INDUSTRIES, INC., OR ITS SUBSIDIARY, AND IS PROVIDED SUBJECT TO RETURN. IT IS ISSUED IN STRICT CONFIDENCE AND SHALL NOT BE REPRODUCED, OR COPIED, OR DISCLOSED IN WHOLE OR IN PART, OR USED AS THE BASIS FOR THE MANUFACTURE OR SALES OF APPARATUS OR PARTS TO WHICH THE DOCUMENT RELATES, WITHOUT THE EXPRESS WRITTEN CONSENT OF ITT INDUSTRIES, INC., OR ITS SUBSIDIARY. THIS LEGEND SHALL BE MARKED ON ANY REPRODUCTION HEREOF, IN WHOLE OR IN PART. ALL RIGHTS TO THE INFORMATION AND DESIGN DISCLOSED HEREIN ARE RESERVED TO ITT INDUSTRIES, INC., OR ITS SUBSIDIARY.

UNLESS OTHERWISE SPECIFIED, ALL DIMENSIONS IN BRACKETS ARE MILLIMETERS. PATTERN NO. -

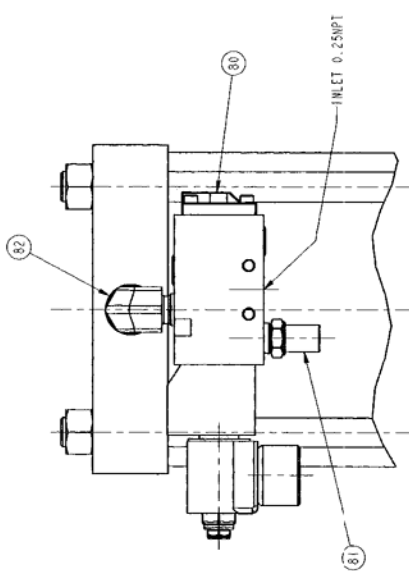
THIRD ANGLE PROJECTION

DATE	BY	CHKD	APP'D
11/12/22	D		

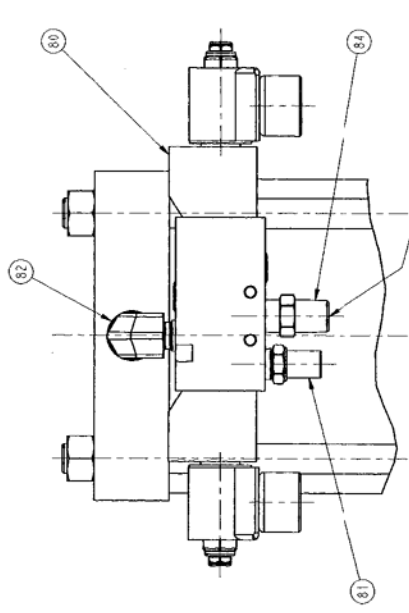
ITC INDUSTRIES
 14150C & 14200C
 14150C & 14200C
 14150C & 14200C
 14150C & 14200C

REV. 10/12/22

FILE COPY

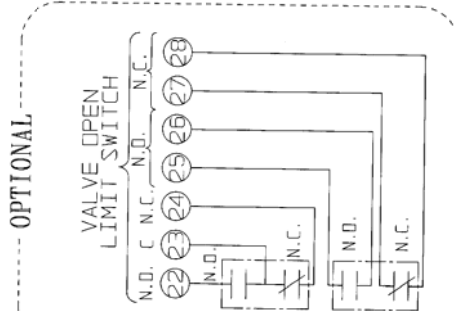


VIEW C-C
 FAIL CLOSE SOLENOID SUBASSEMBLY
 SCALE 1:1

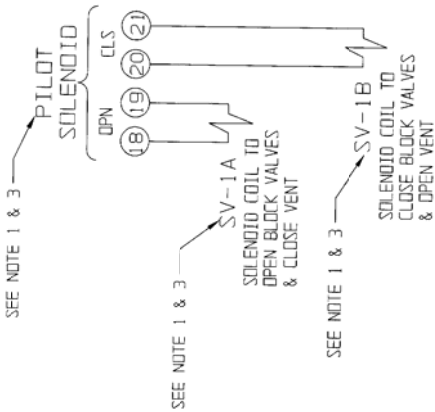
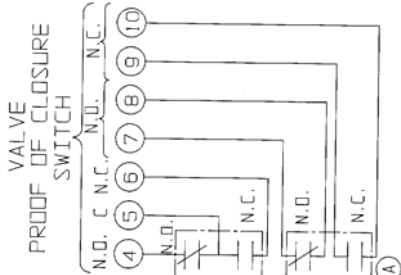
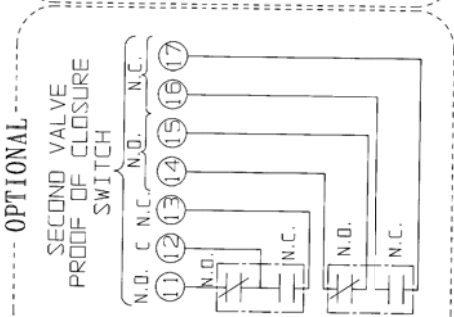


VIEW C-C
 FAIL IN LAST POSITION SOLENOID
 SUBASSEMBLY
 SCALE 1:1

SEE NOTE 5



SEE NOTE 5



SWITCH LOGIC (A)

SWITCH TYPE	VALVE P.O.C. SWITCH	VALVE P.O.C. SWITCH	SECOND VALVE P.O.C. SWITCH	VALVE OPEN LIMIT SWITCH
TERMINALS	4-5	7-8*	11-12	22-23
BLOCK VALVES CLOSED	-	-	-	-
VENT OPEN	-	-	-	-
BLOCK VALVES OPEN	-	-	-	-
VENT CLOSED	-	-	-	-

* THESE TERMINALS ONLY PROVIDED ON ORDERS SUPPLIED WITH DPOT SWITCH CONTACT CONFIGURATION.

THIS IS A FACTORY MUTUAL CONTROLLED DOCUMENT. CHANGES MUST BE APPROVED BY FM PRIOR TO IMPLEMENTING.

ECN#9329

THIS DOCUMENT IS THE SOLE PROPERTY OF ITT INDUSTRIES, INC., OR ITS SUBSIDIARY, AND IS PROVIDED SUBJECT TO RETURN. IT IS ISSUED IN STRICT CONFIDENCE AND SHALL NOT BE REPRODUCED, COPIED, OR DISCLOSED IN WHOLE OR IN PART, OR USED AS THE BASIS FOR THE MANUFACTURE OR SALES OF APPARATUS OR PARTS TO WHICH THE DOCUMENT RELATES, WITHOUT THE EXPRESS WRITTEN CONSENT OF ITT INDUSTRIES, INC., OR ITS SUBSIDIARY. THIS LEGEND SHALL BE MARKED ON ANY REPRODUCTION HEREOF, IN WHOLE OR IN PART. ALL RIGHTS TO THE INFORMATION AND DESIGN DISCLOSED HEREIN ARE RESERVED TO ITT INDUSTRIES, INC., OR ITS SUBSIDIARY.

© 2004

UNLESS OTHERWISE SPECIFIED, ALL DIMENSIONS IN BRACKETS ARE MILLIMETERS. PATTERN NO. -

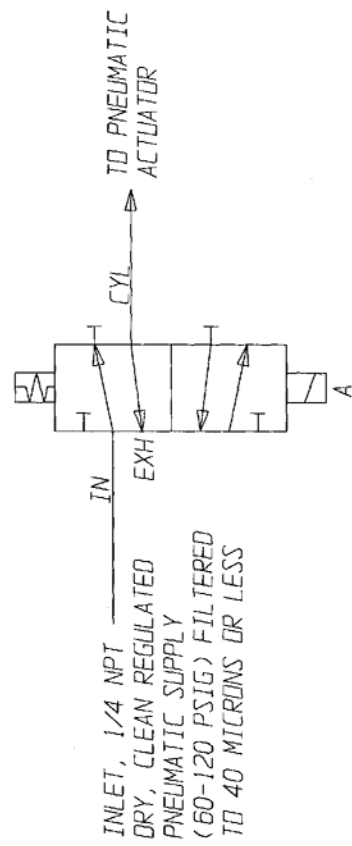
UNLESS OTHERWISE SPECIFIED, ALL DIMENSIONS IN BRACKETS ARE MILLIMETERS. PATTERN NO. -	WEIGHT	SCALE
UNLESS OTHERWISE SPECIFIED, ALL DIMENSIONS IN BRACKETS ARE MILLIMETERS. PATTERN NO. -	UNLESS OTHERWISE SPECIFIED, ALL DIMENSIONS IN BRACKETS ARE MILLIMETERS. PATTERN NO. -	UNLESS OTHERWISE SPECIFIED, ALL DIMENSIONS IN BRACKETS ARE MILLIMETERS. PATTERN NO. -

DATE	BY	DESCRIPTION
10/27/04	10/27/04	10/27/04
10/27/04	10/27/04	10/27/04
10/27/04	10/27/04	10/27/04
10/27/04	10/27/04	10/27/04

WIRING DIAGRAM
GAS LIGNER VALVE
PNEUMATIC - DC SOLENOIDS

ITT Industries
Engineered Valves
Lancaster, PA, USA

SIZE: DRAWING NUMBER: C 119431
SHEET: 1
REV: A



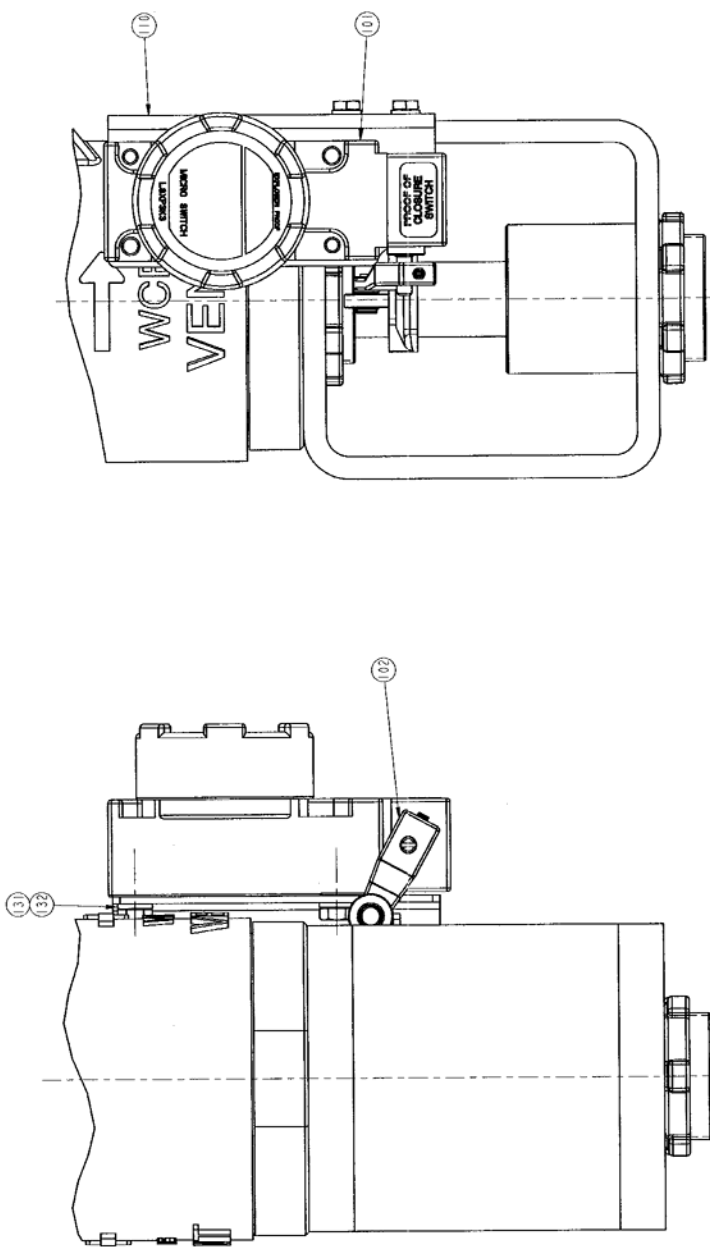
- NOTES:
1. SV-1A IS A SINGLE COIL SPRING RETURN SOLENOID OPERATED PILOT VALVE, MAINTAINED CONTACT TYPE, WHICH CONTROLS THE MAIN VALVES POSITION.
 2. PILOT VALVE SHOWN IS IN DE-ENERGIZED STATE.

ECN#6510

<p>THIS DOCUMENT IS THE SOLE PROPERTY OF ITT INDUSTRIES, INC., OR ITS SUBSIDIARY, AND IS PROVIDED SUBJECT TO RETURN. IT IS ISSUED IN STRICT CONFIDENCE AND SHALL NOT BE REPRODUCED, COPIED, OR DISCLOSED IN WHOLE OR IN PART, OR USED AS THE BASIS FOR THE MANUFACTURE OR SALES OF APPARATUS OR PARTS WHICH THE DOCUMENT RELATES, WITHOUT THE EXPRESS WRITTEN CONSENT OF ITT INDUSTRIES, INC. OR ITS SUBSIDIARY. THIS LEGEND SHALL BE MARKED ON ANY REPRODUCTION HEREOF, IN WHOLE OR IN PART. ALL RIGHTS TO THE INFORMATION AND DESIGN DISCLOSED HEREIN ARE RESERVED TO ITT INDUSTRIES, INC., OR ITS SUBSIDIARY.</p>		<p>UNLESS OTHERWISE SPECIFIED, ALL DIMENSIONS ARE IN INCHES. SURFACES TO BE ∇ EXCEPT AS NOTED.</p>	<p>THIRD ANGLE PROJECTION</p>	<p>UNLESS OTHERWISE NOTED</p> <p>FINISH</p> <p>XX = ± 0.03 XX = ± 0.02 .XXX = ± 0.005 X/2 = ± 1/16</p> <p>X° = ± .5° X° = ± .5° X° = ± .5°</p> <p>REMOVE ALL BURS AND SHARP EDGES. MACHINE!</p>	<p>WEIGHT</p> <p>SCALE</p> <p>DATE</p> <p>BY</p> <p>DWN</p> <p>CHKD</p> <p>APVD</p>	<p>PNEUMATIC SUPPLY GAS LIGHTER VALVE T4150C, T4200C VERSA SINGLE COIL</p> <p>ITTT Industries Engineered Valves Lancaster, PA, USA</p>	<p>SIZE</p> <p>B</p> <p>DRAWING NUMBER</p> <p>119429</p> <p>SHEET</p> <p>1 OF 1</p> <p>REV</p> <p>-</p>
--	--	--	-------------------------------	--	---	---	---

ITEM	DWG. NO.	QTY.	DESCRIPTION
6	119119	1	TUBE-VENT SHAFT POC
32	119126	1	FLANGE-VENT UPPER
			SWITCH-MICRO LS2P3K (NEMA 4)
101	-	1	SWITCH-MICRO LS2H4K3 (NEMA 4X)
			SWITCH-MICRO LS2P3K3 (NEMA 7)
102	-	1	LEVER-OPERATING LS2596 (NEMA 4)
			LEVER-OPERATING LS2519 (NEMA 4X)
			LEVER-OPERATING LS259A (NEMA 7)
103	-	2	WASHER-FIL 10-37 x 2.00
105	C4-4.5	2	LOCKWASHER-SPRING 10
106	-	2	WASHER-FLAT 10-37 x 2.00
107	117400	2	WASHER-FLAT 10-37 x 2.00
110	119142	1	BRACKET-POC HOUS (NEMA 4 & NEMA 4X)
	119111	1	BRACKET-POC HOUS (NEMA 7)
111	-	2	NUT-LOCK
112	119105	1	ACTUATOR-SWITCH
113	C2-2.5	1	SETSCR-HKSA 0.25-28 x 0.25
116	C2-2.1	2	CAPSCR-HEX 0.25-28 x 0.75
117	C4-4.5	2	LOCKWASHER-SPRING 0.75
119	119196	1	TOKE-POC
120	119131	1	FLANGE-VENT LOWER
121	-	1	RING-RETAINING AS5001-175
122	119130	1	WASHER-SEAL POC
123	-	1	WASHER-SEAL POC
125	-	1	BE-CUT SEAL 240501240
126	-	1	BE-CUT SEAL 240001240
130	C2-2.1	2	CAPSCR-HEX 0.31-18 x 0.75
132	C4-4.5	2	LOCKWASHER-SPRING 0.31

NOTES:
 1. FOR INLET VALVE ASSEMBLY, SEE DRAWING 119024.
 2. RECOMMENDED SPARE PARTS.



NEMA 7 SWITCH MTG

ECN# 6510

THIS DOCUMENT IS THE SOLE PROPERTY OF ITT INDUSTRIES, INC., OR ITS SUBSIDIARY, AND IS PROVIDED SUBJECT TO RETURN. IT IS ISSUED IN STRICT CONFIDENCE AND SHALL NOT BE REPRODUCED, OR COPIED, OR DISCLOSED IN WHOLE OR IN PART, OR USED AS THE BASIS FOR THE MANUFACTURE OR SALES OF APPARATUS OR PARTS TO WHICH THE DOCUMENT RELATES, WITHOUT THE EXPRESS WRITTEN CONSENT OF ITT INDUSTRIES, INC., OR ITS SUBSIDIARY. THIS LEGEND SHALL BE MARKED ON ANY REPAIRS, INC., OR ITS SUBSIDIARY. IN PART. ALL RIGHTS TO THE INFORMATION AND DESIGN DISCLOSED HEREIN ARE RESERVED TO ITT INDUSTRIES, INC., OR ITS SUBSIDIARY.

UNLESS OTHERWISE SPECIFIED, ALL DIMENSIONS ARE IN INCHES UNLESS OTHERWISE SPECIFIED.

UNLESS OTHERWISE SPECIFIED, ALL DIMENSIONS IN BRACKETS ARE MILLIMETERS.

SCALE: 1:1

DATE: 11/19/75

DESIGNED BY: J. J. GIBSON

CHECKED BY: J. J. GIBSON

APPROVED BY: J. J. GIBSON

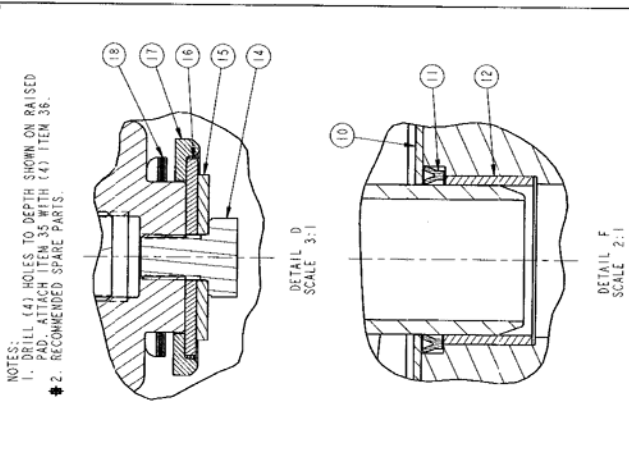
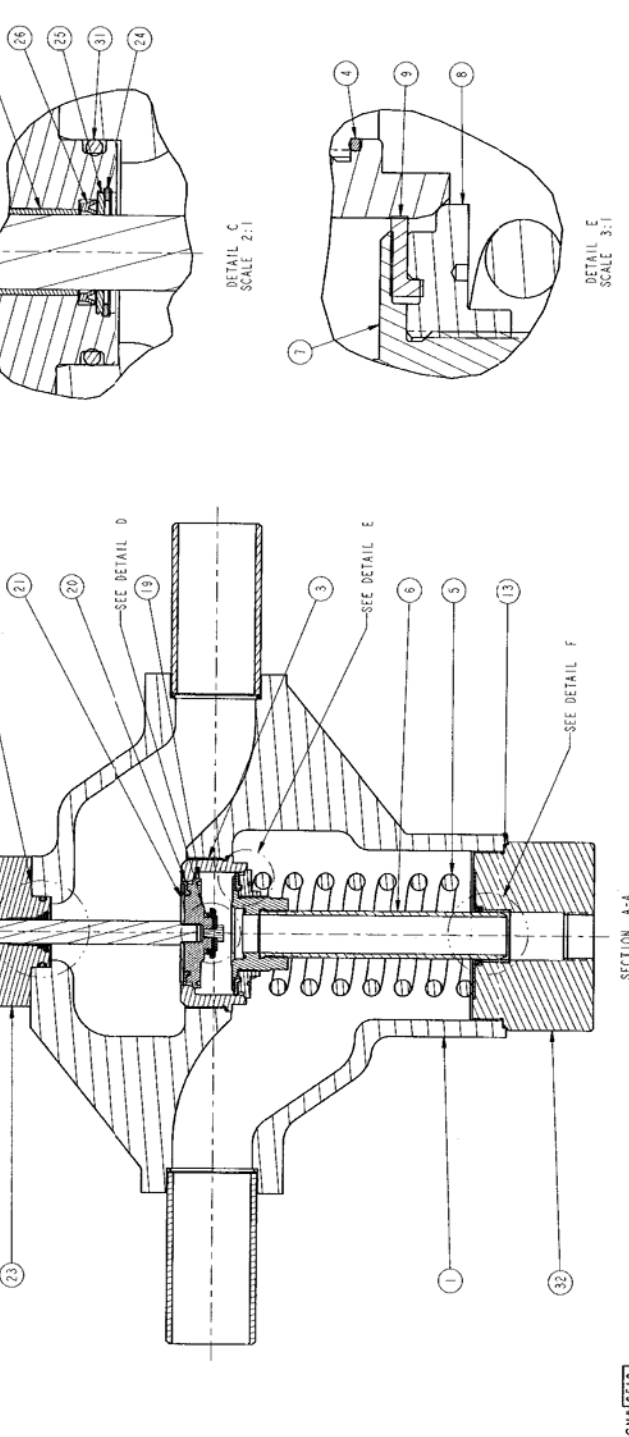
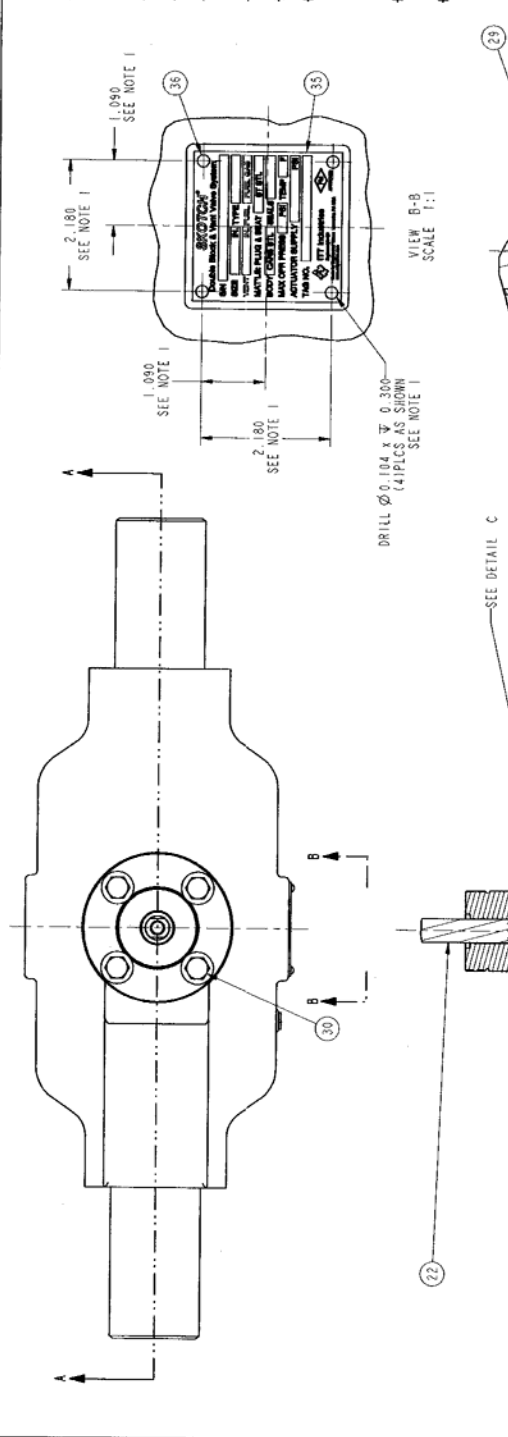
PROJECT: SCOTCH IGNITER

PART NO.: 119125

SHEET: 1 OF 1

FILE COPY

ITEM	DWG. NO.	QTY.	LIST OF PARTS DESCRIPTION
1	119022	1	BODY ASSEMBLY
2	119023	1	RING-SEAL
3	119024	1	SPRING O-RING
4	119025	1	SPRING O-RING
5	119026	1	SPRING O-RING
6	119027	1	SPRING O-RING
7	119028	1	SPRING O-RING
8	119029	1	SPRING O-RING
9	119030	1	SPRING O-RING
10	119031	1	SPRING O-RING
11	119032	1	SPRING O-RING
12	119033	1	SPRING O-RING
13	119034	1	SPRING O-RING
14	119035	1	SPRING O-RING
15	119036	1	SPRING O-RING
16	119037	1	SPRING O-RING
17	119038	1	SPRING O-RING
18	119039	1	SPRING O-RING
19	119040	1	SPRING O-RING
20	119041	1	SPRING O-RING
21	119042	1	SPRING O-RING
22	119043	1	SPRING O-RING
23	119044	1	SPRING O-RING
24	119045	1	SPRING O-RING
25	119046	1	SPRING O-RING
26	119047	1	SPRING O-RING
27	119048	1	SPRING O-RING
28	119049	1	SPRING O-RING
29	119050	1	SPRING O-RING
30	119051	1	SPRING O-RING
31	119052	1	SPRING O-RING
32	119053	1	SPRING O-RING
33	119054	1	SPRING O-RING
34	119055	1	SPRING O-RING
35	119056	1	SPRING O-RING
36	119057	1	SPRING O-RING



NOTES:
1. DRILL (4) HOLES TO DEPTH SHOWN ON RAISED I. PAD, ATTACH ITEM 35 WITH (4) ITEM 36.
2. RECOMMENDED SPARE PARTS.

UNLESS OTHERWISE SPECIFIED, ALL DIMENSIONS IN BRACKETS ARE MILLIMETERS. PATTERN NO. -

THIRD ANGLE PROJECTION

IT Industries
Engineering & Manufacturing
119024
SHEET 1 OF 1

THIS DOCUMENT IS THE SOLE PROPERTY OF ITT INDUSTRIES, INC. OR ITS SUBSIDIARY AND IS PROVIDED SUBJECT TO RETURN, IT IS ISSUED IN STRICT CONFIDENCE AND SHALL NOT BE REPRODUCED, OR COPIED, OR TRANSMITTED IN ANY FORM OR BY ANY MEANS, WITHOUT THE WRITTEN CONSENT OF ITT INDUSTRIES, INC. OR ITS SUBSIDIARY. THIS LEGEND SHALL BE MARKED ON ANY REPRODUCTION HEREOF IN WHOLE OR IN PART. ALL RIGHTS TO THE INFORMATION AND DESIGN DISCLOSED HEREIN ARE RESERVED TO ITT INDUSTRIES, INC., OR ITS SUBSIDIARY.

ECN# 1510

DATE: 08/10/83