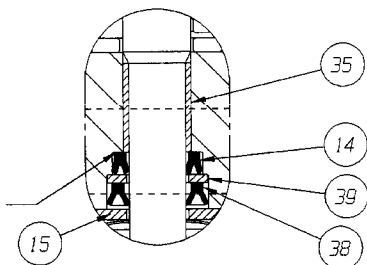
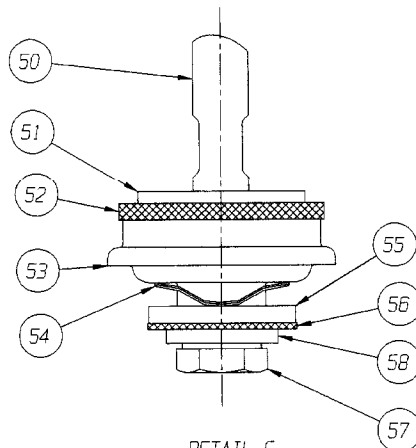


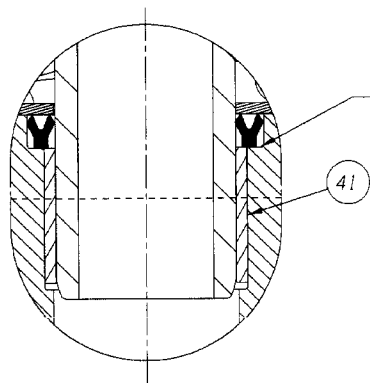
ITEM 35 TO BE
PRESSED FLUSH
WITH THIS SURFACE



DETAIL A
SCALE 2:1

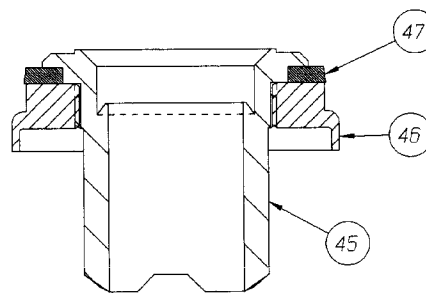


DETAIL C
SCALE 2:1



DETAIL B
SCALE 2:1

ITEM 41 TO BE
PRESSED FLUSH
WITH THIS SURFACE



DETAIL D
SCALE 2:1

ECN#3575

PART NO. -

PATTERN NO. -

THIS DOCUMENT IS THE PROPERTY OF ITT ENGINEERED VALVES AND IS LOANED SUBJECT TO RETURN. IT IS ISSUED IN STRICT CONFIDENCE AND SHALL NOT BE REPRODUCED, OR COPIED OR DISCLOSED IN WHOLE OR IN PART, OR USED AS THE BASIS FOR THE MANUFACTURE OR SALES OF APPARATUS WITHOUT THE EXPRESS WRITTEN CONSENT OF ITT ENGINEERED VALVES.

REV	DATE	ECN NBR	BY	CHKD	APVD
F	4/16/99	4814	JDN	MJO	MJO
E	4/28/98	4622	JDN	MJO	MJO
D	12/15/98	3575	JDN	MJO	MJO
C	4/3/98	3575	JDN	MJO	MJO

TOLERANCES
EXCEPT AS NOTED
DECIMALS
XX ± .02
XXX ± .005
ANGLES ± 30°
REMOVE ALL SHARP
AND SHARP EDGES
ALL MACHINED
SURFACES TO BE
125-μ EXCEPT AS
NOTED

WEIGHT	SCALE	DATE	BY
-	1:1	4/23/98	JDN
CHKD	4/16/98	MJO	-
APVD	4/16/98	MJO	-

MAIN VALVE ASSEMBLY
SERIES T4100

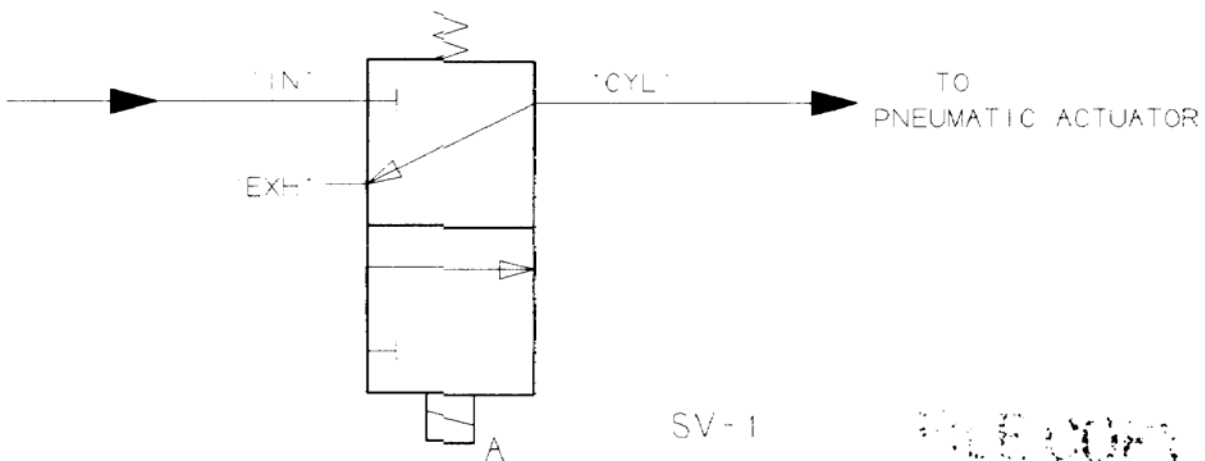
SIZE	DRAWING NUMBER	REV
C	03-014	F

ITT Engineered Valves

ITT Fluid Technology Corporation
Lancaster, Pa.
SHEET 2 OF 2

SUPERSEDES:-

DRY, CLEAN, REGULATED
PNEUMATIC SUPPLY
60 TO 120 PSIG



FILE COPY

- NOTES:
- 1) SV-1A IS A SINGLE COIL, SPRING RETURN, SOLENOID OPERATED PILOT VALVE, MAINTAINED CONTACT TYPE, WHICH CONTROLS THE MAIN VALVE'S POSITION.
 - 2) PILOT VALVE SHOWN IN DE-ENERGIZED STATE.

NEXT ASSY: ALL T4106 SYSTEMS	
DWN BY: GCS	DATE: 9/91
CHKD BY: JRB	DATE: 9/91

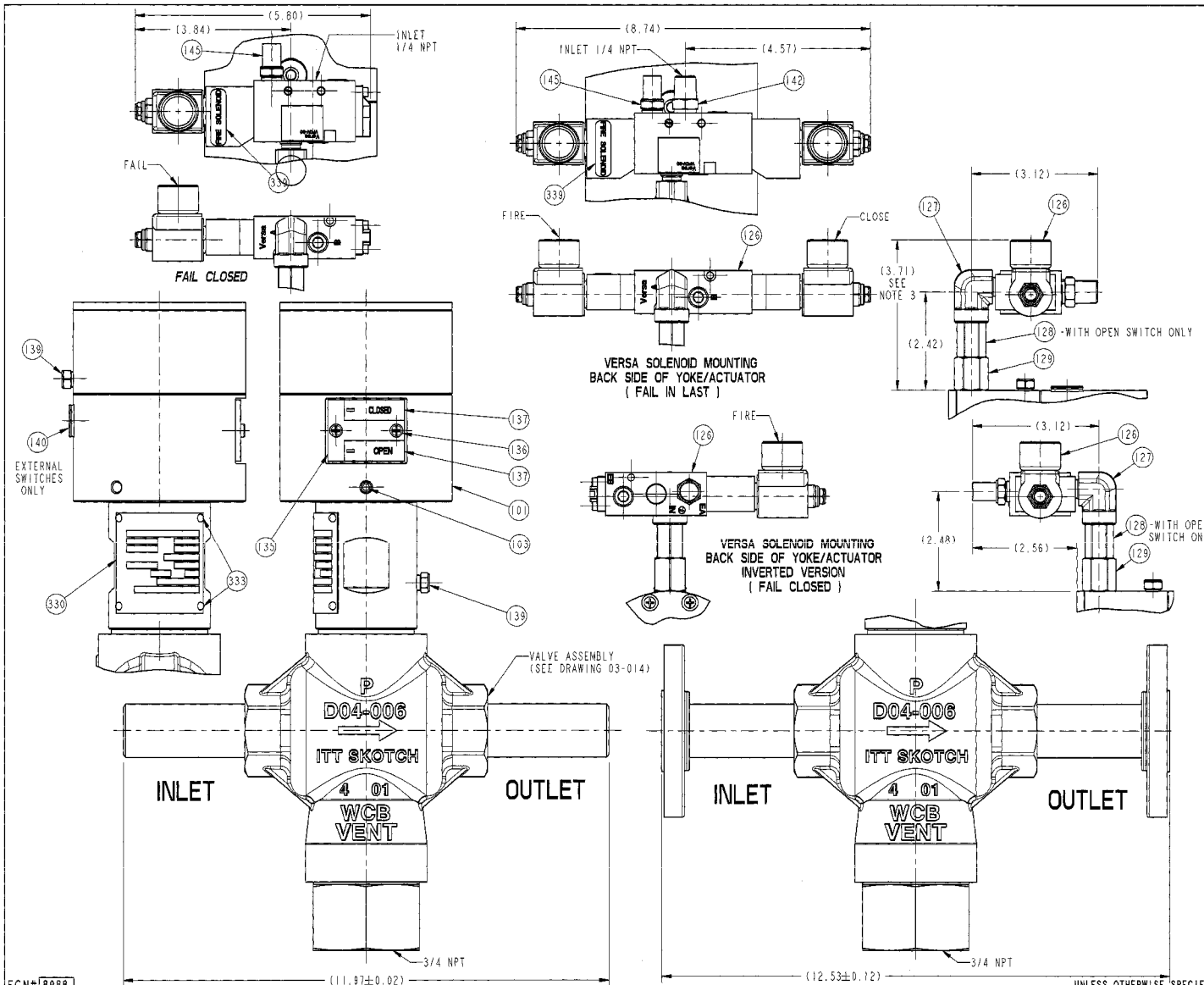
ITT Engineered Valves
ITT Fluid Technology Corporation
Lancaster, Pennsylvania U.S.A.

CODE IDENT: 3V292
TITLE: PNEUMATIC SCHEMATIC
MODEL T4106 TRIFECTA VALVE

SIZE: A
DRAWING NO.: A62-010

LTR	DESCRIPTION	BY	DATE	APPROVAL
REVISIONS				

SCALE: NONE | WGT: N/A | SHT: 1 OF 1



LIST OF PARTS			
ITEM	DWG. NO.	QTY.	DESCRIPTION
101	-	1	YOKE T4100
102	C2-2.1	4	CAPSCR-HEXSCKT .25-20X2.75 CS (INT SWT)
		2	CAPSCR-HEXSCKT .25-20X3.25 CS (EX SW NO POO)
		A/R	CAPSCR-HEXSCKT .25-20X3.50 CS (EX SW, POC, POO)
103	C2-2.5	3	SETSCKR-HYSK 0.31-18UNC X 0.50 LG
104	-	4	LOCKWASHER-SPRING HI-COLLAR 0.25
106	-	1	SWITCH-LIM-4XE1 (INTERNAL) POC
107	26-031	1	BRACKET-SWITCH-MOUNTING (POC)
111	-	2	CAPSCR-HEXSCKT 6-32X0.188 CS
113	117587	1	PLATE-ACR-LIMSW-T4100 AL
115	-	A/R	SWITCH-LIM-4XE1 (INTERNAL) POO
116	26-032	A/R	BRACKET-SWITCH-MOUNTING (POO)
		A/R	CAPSCR-HEXSCKT 10-32X1.75 SS (EX N4 SW)
		A/R	CAPSCR-HEXSCKT 10-32X1.50 SS (EX N7 SW)
		A/R	CAPSCR-HEXSCKT 6-32X0.188 CS (INT POC/POO)
119	-	A/R	LKWSHR-SPR-10 HI-COLLAR AS
122	26-033	1	WIRING-BARRIER
123	-	2	CAPSCR-HEXSCKT 6-32X0.188 CS
125	117587	A/R	PLATE-ACR-LIMSW-T4100 AL
126	20-033	1	SOLV-SC-PETER PAUL
		1	SOLV-SC-VERSA-VPCV-60
		1	SOLV-DC-VERSA-VPCV-60
127	-	1	FTG-0.25MNPTX0.25FNPT 90
		1	FTG-0.25MNPTX0.25MNPT 90
		1	NIPPLE-125X1.00 BS (PETER PAUL INT SW)
128	-	1	NIPPLE-125X1.75 BS (PETER PAUL EX SW)
		1	FTG-0.25MNPTX0.25MNPT STR (VERSA SC/DC)
129	-	1	FTG-0.25FNPTX0.12MNPT ADPTR (VERSA SC/DC)
135	06-102	1	LENS
136	-	2	MCHSCR-PAN HD 8-32X0.250 CS PLATED
137	90-016	1	DECAL-SET
139	-	1	VENT-BREATHER .125 MNPT
140	-	1	CONDUIT-PLUG .5
142	-	1	VALVE-CHECK-INLET-CMM020
145	-	1	MUFFLER-ALW100-PM-MODEL-P28 (VERSA ONLY)
147	117589	1	ACT-LIMSW-EXT-T4100 SS
	117398	1	TARGET-PRXSW T4100
150	-	A/R	SWITCH-LIMIT-NEMA4 (POO)
		A/R	SWITCH-LIMIT-NEMA7 (POO)
151	-	A/R	SWITCH-LEVER-STD-STEEL-ROLLER (POO)
		A/R	SWITCH-LEVER-NEMA7-NYLON-ROLLER (POO)
152	-	A/R	SWITCH-PRX (POC)
153	117404	A/R	BRKT-SW-T4100 (POO)
154	-	A/R	SWITCH-ROLLER ACT KIT JM-5 (POO)
157	-	1	CAPSCR-HEX .50-20X2.25
158	-	1	LKWSHR-SPR 0.50 SS
159	117436	1	SPCR-T4100-PP AL
160	-	1	SWITCH-LIMIT-NEMA4 (POC)
		1	SWITCH-LIMIT-NEMA7 (POC)
161	-	1	SWITCH-LEVER-STD-STEEL-ROLLER (POC)
		1	SWITCH-LEVER-NEMA7-NYLON-ROLLER (POC)
162	-	1	SWITCH-PRX (POC)
163	117404	1	BRKT-SW-T4100 (POC)
164	-	1	SWITCH-ROLLER-ACT-KIT JM-5 (POC)
165	07-025	A/R	CYLINDER-PNEUMATC-T4100
	07-027	A/R	CYLINDER-DBL-ROD-END-T4100
166	06-101	1	CONNECTOR-STEM-T4100
167	36-154	1	DOWEL-PIN 0.9X1.75 SS
330	119107	1	TAG-VALVE-NON-FM-SS
	119106	1	TAG-VALVE-FM-SS
333	-	4	RIVET
336	117760	A/R	LABEL-OPEN-LIMIT-SWITCH
338	117500	1	LABEL-POC-SWITCH
339	117501	1	LABEL-FIRE-SOLENOID

NOTES:
 1. AUXILIARY (OPEN) SWITCH MAY NOT BE REQUIRED.
 2. ACTUATOR MAY BE ROTATED AS REQUIRED.
 3. THIS DIMENSION DECREASES IF OPEN SWITCH IS NOT INSTALLED.

ECN# 8988

THIS DOCUMENT IS THE SOLE PROPERTY OF ITT INDUSTRIES, INC., OR ITS SUBSIDIARY, AND IS PROVIDED SUBJECT TO RETURN. IT IS ISSUED IN STRICT CONFIDENCE AND SHALL NOT BE REPRODUCED, OR COPIED, OR DISCLOSED IN WHOLE OR IN PART, OR USED AS THE BASIS FOR THE MANUFACTURE OR SALES OF APPARATUS OR PARTS TO WHICH THE DOCUMENT RELATES, WITHOUT THE EXPRESS WRITTEN CONSENT OF ITT INDUSTRIES, INC., OR ITS SUBSIDIARY. THIS LEGEND SHALL BE MARKED ON ANY REPRODUCTION HEREOF, IN WHOLE OR IN PART. ALL RIGHTS TO THE INFORMATION AND DESIGN DISCLOSED HEREIN ARE RESERVED TO ITT INDUSTRIES, INC., OR ITS SUBSIDIARY.

UNLESS OTHERWISE SPECIFIED, ALL DIMENSIONS IN BRACKETS ARE MILLIMETERS. PATTERN NO. []

THIRD ANGLE PROJECTION

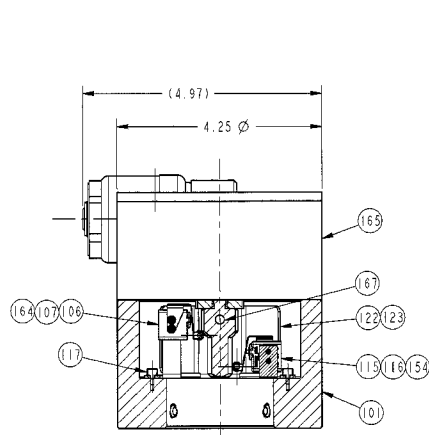
UNLESS OTHERWISE SPECIFIED, ALL DIMENSIONS ARE IN INCHES

SCALE: VALVE ACTUATOR ASSY T4100

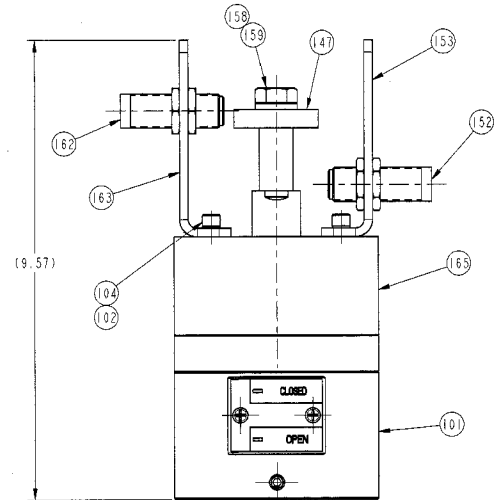
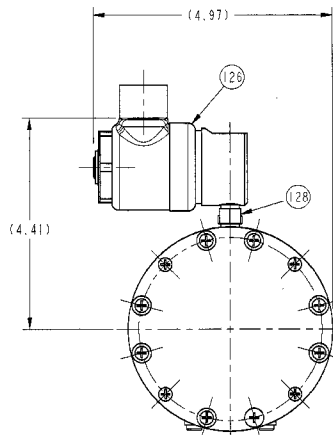
ITT Industries
 Engineered Valves Group
 Lancaster, PA USA

DATE: 11/7591 SHEET: 1 OF 3 REV: D

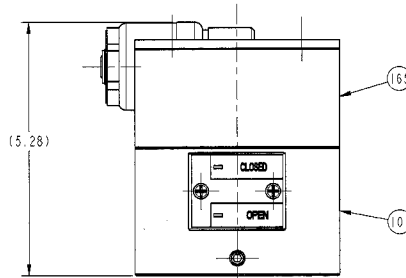
FILE COPY



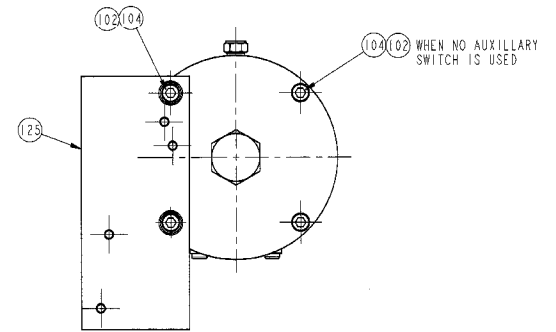
INTERNAL SWITCH



PROXIMITY SWITCHES



INTERNAL SWITCH
W/ PETER-PAUL SOLENOID



ADAPTER BLOCK DETAIL

ECN#18988

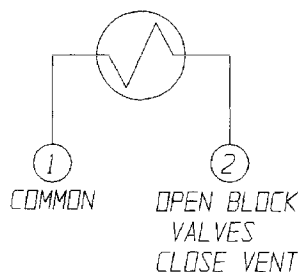
THIS DOCUMENT IS THE SOLE PROPERTY OF ITT INDUSTRIES, INC., OR ITS SUBSIDIARY, AND IS PROVIDED SUBJECT TO RETURN. IT IS ISSUED IN STRICT CONFIDENCE AND SHALL NOT BE REPRODUCED, OR COPIED, OR DISCLOSED IN WHOLE OR IN PART, OR USED AS THE BASIS FOR THE MANUFACTURE OR SALES OF APPARATUS OR PARTS TO WHICH THE DOCUMENT RELATES, WITHOUT THE EXPRESS WRITTEN CONSENT OF ITT INDUSTRIES, INC., OR ITS SUBSIDIARY. THIS LEGEND SHALL BE MARKED ON ANY REPRODUCTION HEREOF, IN WHOLE OR IN PART. ALL RIGHTS TO THE INFORMATION AND DESIGN DISCLOSED HEREIN ARE RESERVED TO ITT INDUSTRIES, INC., OR ITS SUBSIDIARY.

UNLESS OTHERWISE SPECIFIED, ALL DIMENSIONS IN BRACKETS ARE MILLIMETERS. PATTERN NO. _____

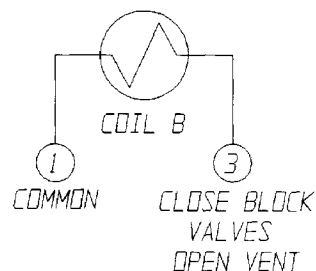
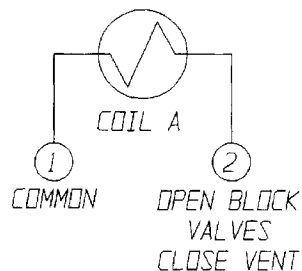
THIRD ANGLE PROJECTION	UNLESS OTHERWISE NOTED	WEIGHT	SCALE	VALVE ACTUATOR ASSY
	INCHES	3.50	T4100	
UNLESS OTHERWISE SPECIFIED, ALL DIMENSIONS ARE IN INCHES	DATE	APPROVED	DATE	
	7/6/74			

ITT Industries		Engineered Valve Group	
Lancaster, PA USA			
FILE	D	117591	SHEET 3 OF 3
DATE			REV D

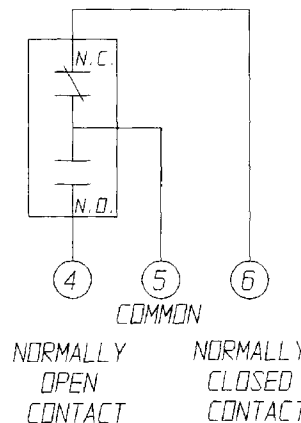
FAIL CLOSED PILOT SOLENOID
COIL A "FIRE"



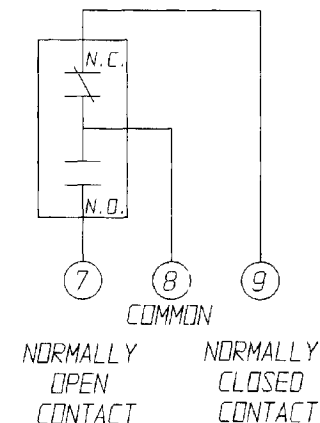
FAIL IN LAST PILOT SOLENOID
COIL A "FIRE" & COIL B "CLOSED"



INTERNAL
PROOF OF CLOSURE
SWITCH



INTERNAL
AUXILLIARY OR
OPEN SWITCH
(OPTIONAL)



NOTES:

1. ALL SWITCHES SHOWN WITH BLOCK VALVES CLOSED, VENT OPEN
2. PROOF OF CLOSURE SWITCH CHANGES STATE ON INITIAL STEM MOVEMENT. AUXILLIARY OR OPEN SWITCH (IF SUPPLIED) CHANGES STATE WHEN OPEN.
3. ○ - REPRESENTS A WIRE MARKER NUMBER
4. FOR EXTERNAL MOUNTED SWITCHES (OPTIONAL) SEE SWITCH NAMEPLATE
5. IF EQUIPPED GREEN WIRE FOR GROUND IS NOT MARKED WITH WIRE NUMBERS

ECN# 3575

PART NO. -

PATTERN NO. -

THIS DOCUMENT IS THE PROPERTY OF ITT ENGINEERED VALVES AND IS LOANED SUBJECT TO RETURN. IT IS ISSUED IN STRICT CONFIDENCE AND SHALL NOT BE REPRODUCED, OR COPIED, OR DISCLOSED IN WHOLE OR IN PART, OR USED AS THE BASIS FOR THE MANUFACTURE OR SALES OF APPARATUS WITHOUT THE EXPRESS WRITTEN CONSENT OF ITT ENGINEERED VALVES.

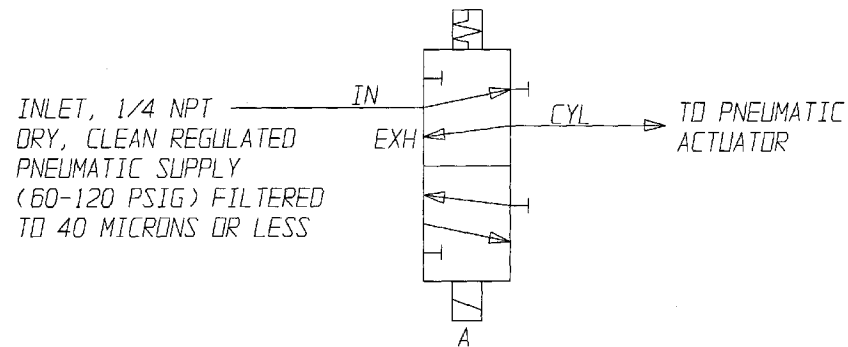
FILE

TOLERANCES
EXCEPT AS NOTED
DECIMALS
XX ± .02
XXX ± .005
ANGLES ± 0.50°
REMOVE ALL BURRS
AND SHARP EDGES
ALL MACHINED
SURFACES TO BE
125/ EXCEPT AS
NOTED

WEIGHT	SCALE
-	NTS
DATE	BY
DWN 4/17/98	JDN
CHKD 4/22/98	MJC
APVD 4/22/98	MJC

WIRING DIAGRAM
T4100
-
-
-
SUPERSEDES: -

ITT Engineered Valves		
ITT Fluid Technology Corporation Lancaster, Pa		
SHEET 1 OF 1		
SIZE	DRAWING NUMBER	REV
B	117620	-



NOTES:

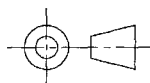
1. SV-1A IS A SINGLE COIL SPRING RETURN SOLENOID OPERATED PILOT VALVE, MAINTAINED CONTACT TYPE, WHICH CONTROLS THE MAIN VALVES POSITION.
2. PILOT VALVE SHOWN IS IN DE-ENERGIZED STATE.

ECN#6510

UNLESS OTHERWISE SPECIFIED, ALL DIMENSIONS IN BRACKETS ARE MILLIMETERS. PATTERN NO. -

THIS DOCUMENT IS THE SOLE PROPERTY OF ITT INDUSTRIES, INC., OR ITS SUBSIDIARY, AND IS PROVIDED SUBJECT TO RETURN. IT IS ISSUED IN STRICT CONFIDENCE AND SHALL NOT BE REPRODUCED, OR COPIED, OR DISCLOSED IN WHOLE OR IN PART, OR USED AS THE BASIS FOR THE MANUFACTURE OR SALES OF APPARATUS OR PARTS TO WHICH THE DOCUMENT RELATES, WITHOUT THE EXPRESS WRITTEN CONSENT OF ITT INDUSTRIES, INC., OR ITS SUBSIDIARY. THIS LEGEND SHALL BE MARKED ON ANY REPRODUCTION HEREOF, IN WHOLE OR IN PART. ALL RIGHTS TO THE INFORMATION AND DESIGN DISCLOSED HEREIN ARE RESERVED TO ITT INDUSTRIES, INC., OR ITS SUBSIDIARY.

THIRD ANGLE PROJECTION



UNLESS OTHERWISE SPECIFIED, ALL DIMENSIONS ARE IN INCHES

UNLESS OTHERWISE NOTED

INCH	MM
X = ± 0.06	[X] = ± [.76]
.X = ± 0.03	[.X] = ± [.5]
.XX = ± 0.02	[.XX] = ± [.12]
.XXX = ± 0.005	[.XXX] = ± [.12]
X/X = ± 1/16	
X° = ± 5°	X° = ± .5°
X" = ± .1"	X" = ± .1"

REMOVE ALL BURRS AND SHARP EDGES. MACHINED SURFACES TO BE ϕ EXCEPT AS NOTED.

WEIGHT	SCALE
-	-
DATE	BY
OWN	OS/MS/MS
CHKD	OS/MS/MS
APVD	OS/MS/MS

PNEUMATIC SUPPLY
GAS IGNITER VALVE
T4150C, T4200C
VERSA SINGLE COIL



ITT Industries

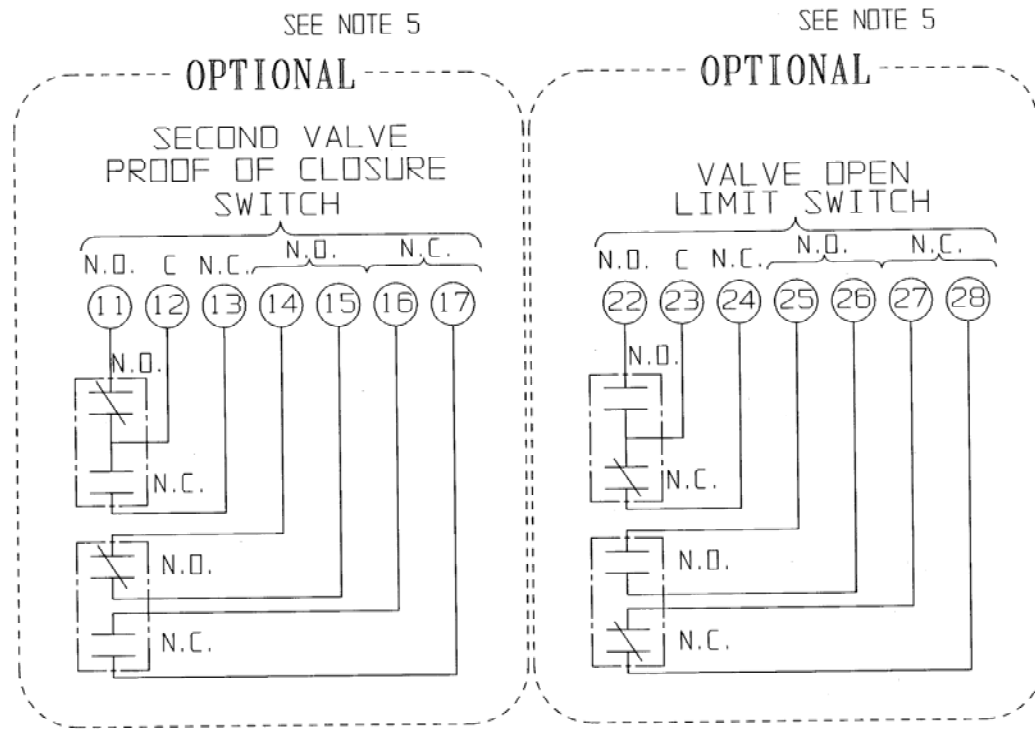
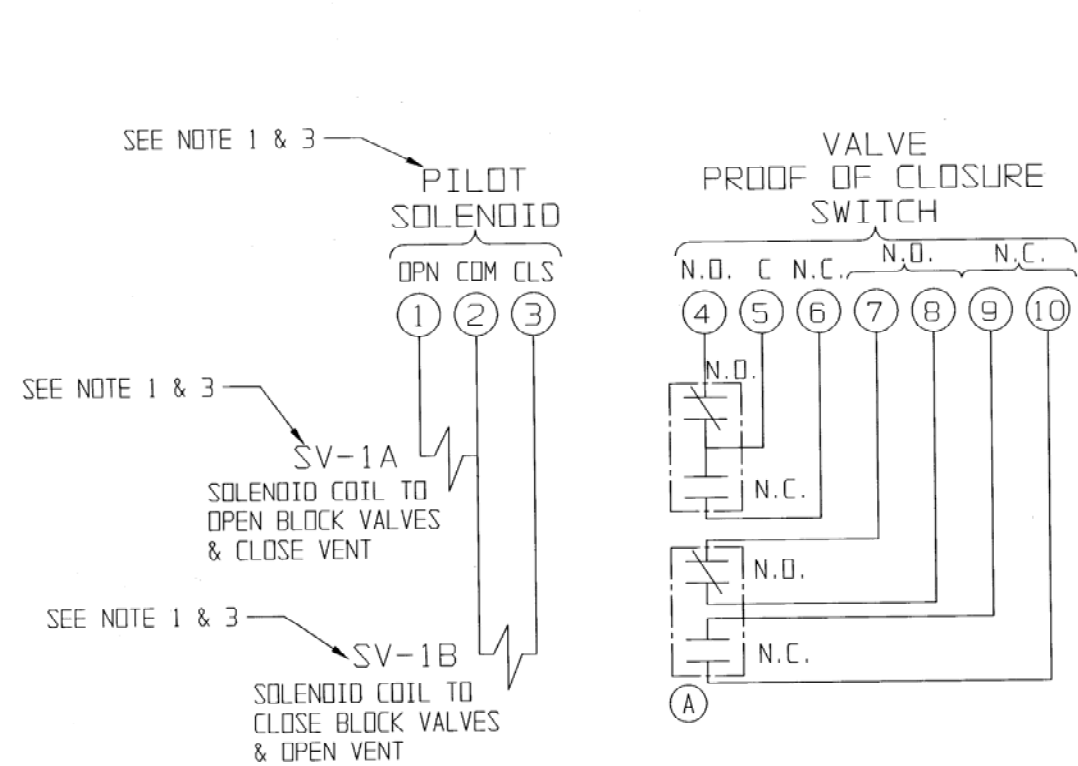
Engineered Valves
Lancaster, PA USA

SIZE	DRAWING NUMBER	SHEET	REV
B	119429	1 OF 1	-

SUPERSEDES: -

BY 6 02/28/03

FILE COPY



SWITCH LOGIC (A)

SWITCH TYPE	VALVE P.D.C. SWITCH				SECOND VALVE P.D.C. SWITCH				VALVE OPEN LIMIT SWITCH				
	TERMINALS	4-5	5-6	7-8*	9-10*	11-12	12-13	14-15*	16-17*	22-23	23-24	25-26*	27-28*
BLOCK VALVES CLOSED VENT OPEN	+	-	-	-	-	-	-	-	-	-	-	-	-
BLOCK VALVES OPEN VENT CLOSED	-	-	-	-	-	-	-	-	-	-	-	-	-

* THESE TERMINALS ONLY PROVIDED ON ORDERS SUPPLIED WITH DPDT SWITCH CONTACT CONFIGURATION.

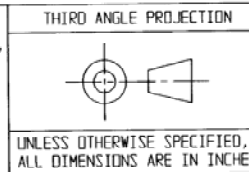
THIS IS A FACTORY MUTUAL CONTROLLED DOCUMENT. CHANGES MUST BE APPROVED BY FM PRIOR TO IMPLEMENTING.

NOTES:

- SOLENOID VOLTAGE IS AC. CONSULT ORDER SPECIFICATION OR SOLENOID NAMEPLATE FOR SOLENOID VOLTAGE RATING.
- ALL SWITCHES SHOWN WITH BLOCK VALVES IN CLOSED POSITION & VENT OPEN.
- SV-1A & SV-2A REPRESENT THE MAGNETIC COILS ON THE SOLENOID. FOR FAIL CLOSED VALVES (MODEL 4156C, 4206C), ONLY SV-1A IS SUPPLIED. THIS IS A MAINTAINED CONTACT SOLENOID. WHEN ENERGIZED THE VALVE OPENS. FAIL-IN-LAST VALVES (MODEL 4155C, 4205C), SV-2A IS USED IN ADDITION TO SV-1A. THESE REQUIRE MOMENTARY CONTACTS IN THIS APPLICATION. BOTH COILS CANNOT BE ENERGIZED SIMULTANEOUSLY OR DAMAGE WILL OCCUR.
- WIRING SHOWN FOR DPDT SWITCHES. FOR SPDT DELETE WIRE NUMBERS 7, 8, 9, 10, 14, 15, 16, 17, 25, 26, 27 AND 28. SEE ORDER SPECIFICATION FOR TYPE AND RATING.
- NOT NORMALLY SUPPLIED.

ECN#9329

THIS DOCUMENT IS THE SOLE PROPERTY OF ITT INDUSTRIES, INC., OR ITS SUBSIDIARY, AND IS PROVIDED SUBJECT TO RETURN. IT IS ISSUED IN STRICT CONFIDENCE AND SHALL NOT BE REPRODUCED, OR COPIED, OR DISCLOSED IN WHOLE OR IN PART, OR USED AS THE BASIS FOR THE MANUFACTURE OR SALES OF APPARATUS OR PARTS TO WHICH THE DOCUMENT RELATES, WITHOUT THE EXPRESS WRITTEN CONSENT OF ITT INDUSTRIES, INC., OR ITS SUBSIDIARY. THIS LEGEND SHALL BE MARKED ON ANY REPRODUCTION HEREOF, IN WHOLE OR IN PART. ALL RIGHTS TO THE INFORMATION AND DESIGN DISCLOSED HEREIN ARE RESERVED TO ITT INDUSTRIES, INC., OR ITS SUBSIDIARY.



UNLESS OTHERWISE SPECIFIED, ALL DIMENSIONS IN BRACKETS ARE MILLIMETERS. PATTERN NO. -

UNLESS OTHERWISE NOTED		WEIGHT	SCALE
INCH	MM		
X = ± 0.06	[X] = ± [.76]	DATE	BY
.X = ± 0.03	[.X] = ± [.5]	DWN	2/23/05 Kld
.XX = ± 0.02	[.XX] = ± [.12]	CHKD	2/23/05 Kld
.XXX = ± 0.005	[.XXX] = ± [.12]	APVD	2/23/05 Kld
X'X' = ± 1/16			
X'' = ± .5°	X'' = ± .5°		
X''' = ± 1°	X''' = ± 1°		

WIRING DIAGRAM
GAS IGNITER VALVE
PNEUMATIC - AC SOLENOIDS

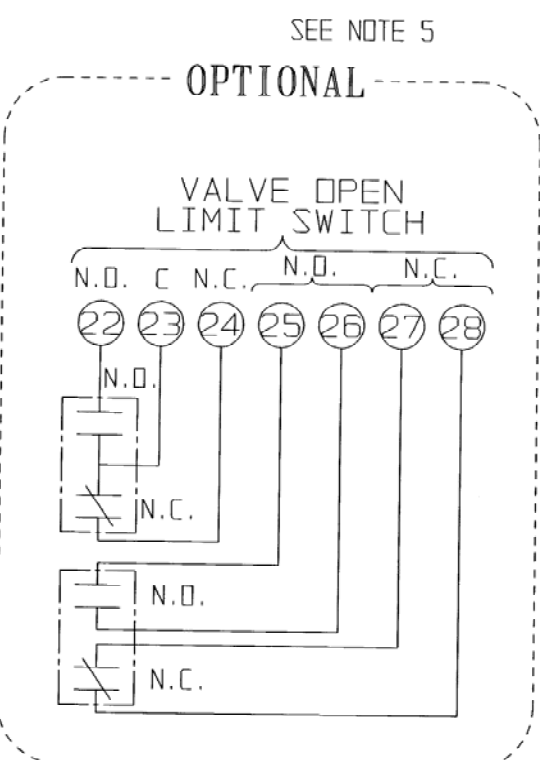
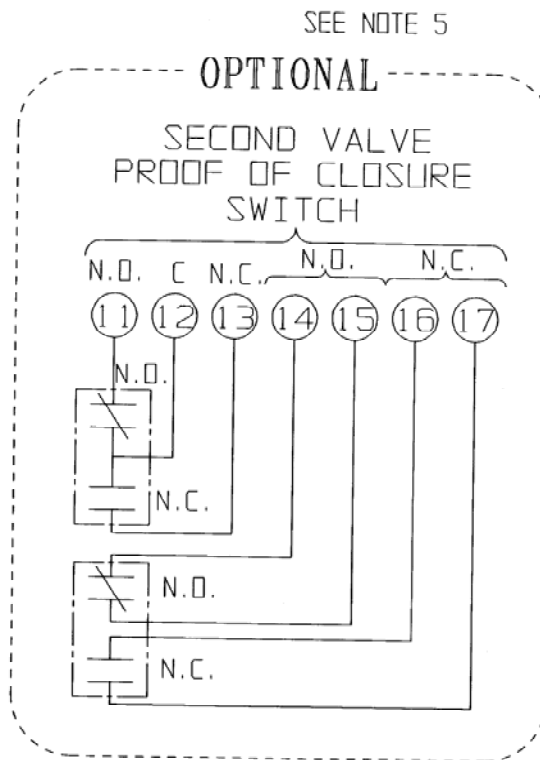
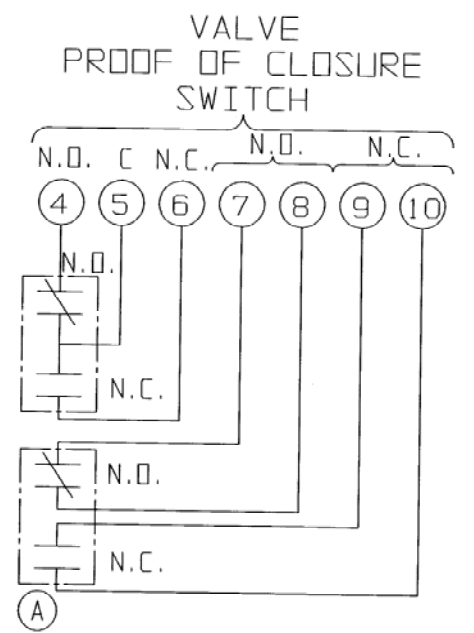
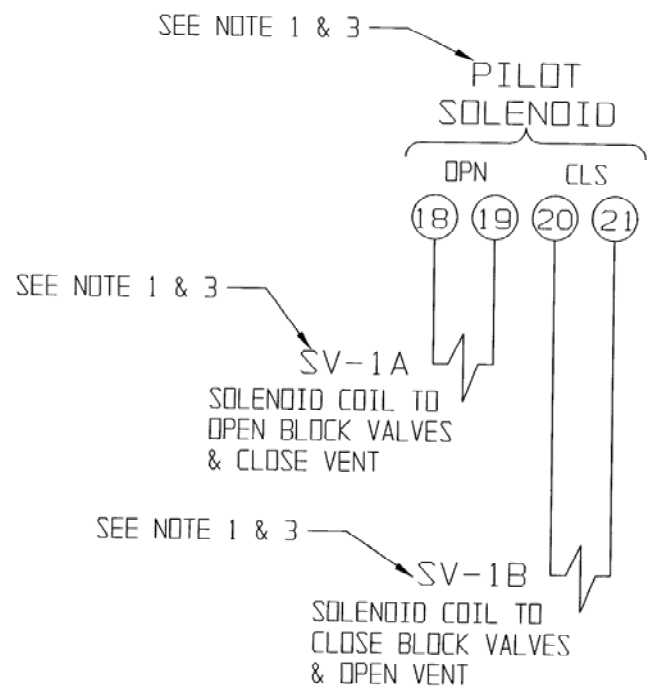
ITT Industries

Engineered Valves
Lancaster, PA USA

SIZE	DRAWING NUMBER	SHEET	REV
C	119430	1 OF 1	A

SUPERSEDES: -

BY C 02/26/03



SWITCH LOGIC (A)

SWITCH TYPE	VALVE P.D.C. SWITCH				SECOND VALVE P.D.C. SWITCH				VALVE OPEN LIMIT SWITCH			
	4-5	5-6	7-8*	9-10*	11-12	12-13	14-15*	16-17*	22-23	23-24	25-26*	27-28*
BLOCK VALVES CLOSED VENT OPEN												
BLOCK VALVES OPEN VENT CLOSED												

* THESE TERMINALS ONLY PROVIDED ON ORDERS SUPPLIED WITH DPDT SWITCH CONTACT CONFIGURATION.

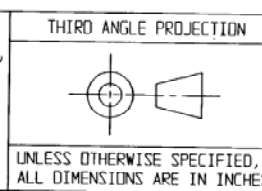
THIS IS A FACTORY MUTUAL CONTROLLED DOCUMENT. CHANGES MUST BE APPROVED BY FM PRIOR TO IMPLEMENTING.

NOTES:

- SOLENOID VOLTAGE IS DC. CONSULT ORDER SPECIFICATION OR SOLENOID NAMEPLATE FOR SOLENOID VOLTAGE RATING.
- ALL SWITCHES SHOWN WITH BLOCK VALVES IN CLOSED POSITION & VENT OPEN.
- SV-1A & SV-2A REPRESENT THE MAGNETIC COILS ON THE SOLENOID. FOR FAIL CLOSED VALVES (MODEL 4156C, 4206C), ONLY SV-1A IS SUPPLIED. THIS IS A MAINTAINED CONTACT SOLENOID. WHEN ENERGIZED THE VALVE OPENS. FAIL-IN-LAST VALVES (MODEL 4155C, 4205C), SV-2A IS USED IN ADDITION TO SV-1A. THESE REQUIRE MOMENTARY CONTACTS IN THIS APPLICATION. BOTH COILS CANNOT BE ENERGIZED SIMULTANEOUSLY OR DAMAGE WILL OCCUR.
- WIRING SHOWN FOR DPDT SWITCHES. FOR SPDT DELETE WIRE NUMBERS 7,8,9,10,14,15,16,17,25,26,27 AND 28. SEE ORDER SPECIFICATION FOR TYPE AND RATING.
- NOT NORMALLY SUPPLIED.

ECN#9329

THIS DOCUMENT IS THE SOLE PROPERTY OF ITT INDUSTRIES, INC., OR ITS SUBSIDIARY, AND IS PROVIDED SUBJECT TO RETURN. IT IS ISSUED IN STRICT CONFIDENCE AND SHALL NOT BE REPRODUCED, OR COPIED, OR DISCLOSED IN WHOLE OR IN PART, OR USED AS THE BASIS FOR THE MANUFACTURE OR SALES OF APPARATUS OR PARTS TO WHICH THE DOCUMENT RELATES, WITHOUT THE EXPRESS WRITTEN CONSENT OF ITT INDUSTRIES, INC., OR ITS SUBSIDIARY. THIS LEGEND SHALL BE MARKED ON ANY REPRODUCTION HEREOF, IN WHOLE OR IN PART. ALL RIGHTS TO THE INFORMATION AND DESIGN DISCLOSED HEREIN ARE RESERVED TO ITT INDUSTRIES, INC., OR ITS SUBSIDIARY.



UNLESS OTHERWISE NOTED

INCH	MM
X = ± 0.06	
.X = ± 0.03	
.XX = ± 0.02	[X] = ± (.76)
.XXX = ± 0.005	[.XX] = ± (.5)
X/X = ± 1/16	[.XX] = ± (.12)
.X° = ± .5°	X° = ± .5°
X" = ± .01"	X" = ± .01"

REMOVE ALL BURRS AND SHARP EDGES. MACHINED SURFACES TO BE .005" EXCEPT AS NOTED.

WEIGHT	SCALE
DATE	BY
2/23/05	Mid
CHKD	2/23/05
APVD	2/23/05

WIRING DIAGRAM
GAS IGNITER VALVE
PNEUMATIC - DC SOLENOIDS

UNLESS OTHERWISE SPECIFIED, ALL DIMENSIONS IN BRACKETS ARE MILLIMETERS. PATTERN NO. -

Engineered Valves
Lancaster, PA USA

SIZE	DRAWING NUMBER	SHEET	REV
C	119431	1 OF 1	A

SUPERSEDES: -