

LIST OF PARTS			
ITEM	DWG. NO.	QTY.	DESCRIPTION
1	02-011	1	VALVE BODY SUBASSEMBLY
(G) 2	118060	1	END FLANGE STEAM SIDE
3	01-012	2	PACKING NUT
* 4	39-001	2	PACKING SET
(F) * 5	-	2	PACKING SPRING
(F) * 6	-	8	0.50-13 X 1.00 LG. SOCKET HEAD CAP SCREW
* 7	40-001	2	BODY GASKET
* 8	116633	1	MAIN STEM
* 9	01-013	1	UPPER SEAT RING
* 10	01-011	1	PURGE SEAT RING
* 11	02-110	1	OIL VALVE SEAT RING ASSEMBLY
(F) * 12	02-107	1	OIL STEM
13	01-218	1	LIMIT SWITCH BOX
(G) 14	-	2	STUD (0.31-18 UNC)
15	01-016	1	LIMIT SWITCH BOX COVER
16	-	2	12-24 X 0.50 LG. HEX WASHER HEAD SCREW
17	01-224	1	SPRING SEAT
18	-	1	10-32 X 0.25 LG. SOCKET HEAD SET SCREW
* 19	-	1	OIL VALVE RETURN SPRING
* 20	25-007	1	OIL VALVE PROOF OF CLOSURE SWITCH NEMA 4
* 21	40-026	2	SEAT RING GASKET
* 22	-	-	10-32 X 0.50 LG. HEX SOC BTNHD CAP SCR
* 23	-	-	#10 FLAT WASHER
* 24	-	-	#10 LOCK WASHER
* 25	01-234	-	SWITCH MOUNTING BRACKET (NEMA 4)
26	-	2	#10-32 X 0.75 LG. HEX SOCKET HD CAP SCREW
27	-	2	#10-32 HEX NUT
(E) 28	-	2	0.31 LOCK WASHER
(E) 29	-	2	0.31-18 HEX NUT
(E) 30	-	-	-
* 31	25-017	1	OIL VALVE PROOF OF CLOSURE SWITCH NEMA 7
* 32	01-235	-	SWITCH MOUNTING BRACKET (NEMA 7)
* 33	-	-	0.31 FLAT WASHER
* 34	-	-	0.31 LOCK WASHER
* 35	-	-	0.31-18 X 0.75 LG. HEX SOC BTNHD CAP SCR
(F) 36	117504	1	LABEL - CAUTION STEM PACKING
(F) 37	90-018	1	LABEL - CAUTION SPRING
(F) 38	117500	1	LABEL - PROOF OF CLOSURE
(E) 39	118059	1	END FLANGE OIL SIDE
(E) 40	-	2	BEARING

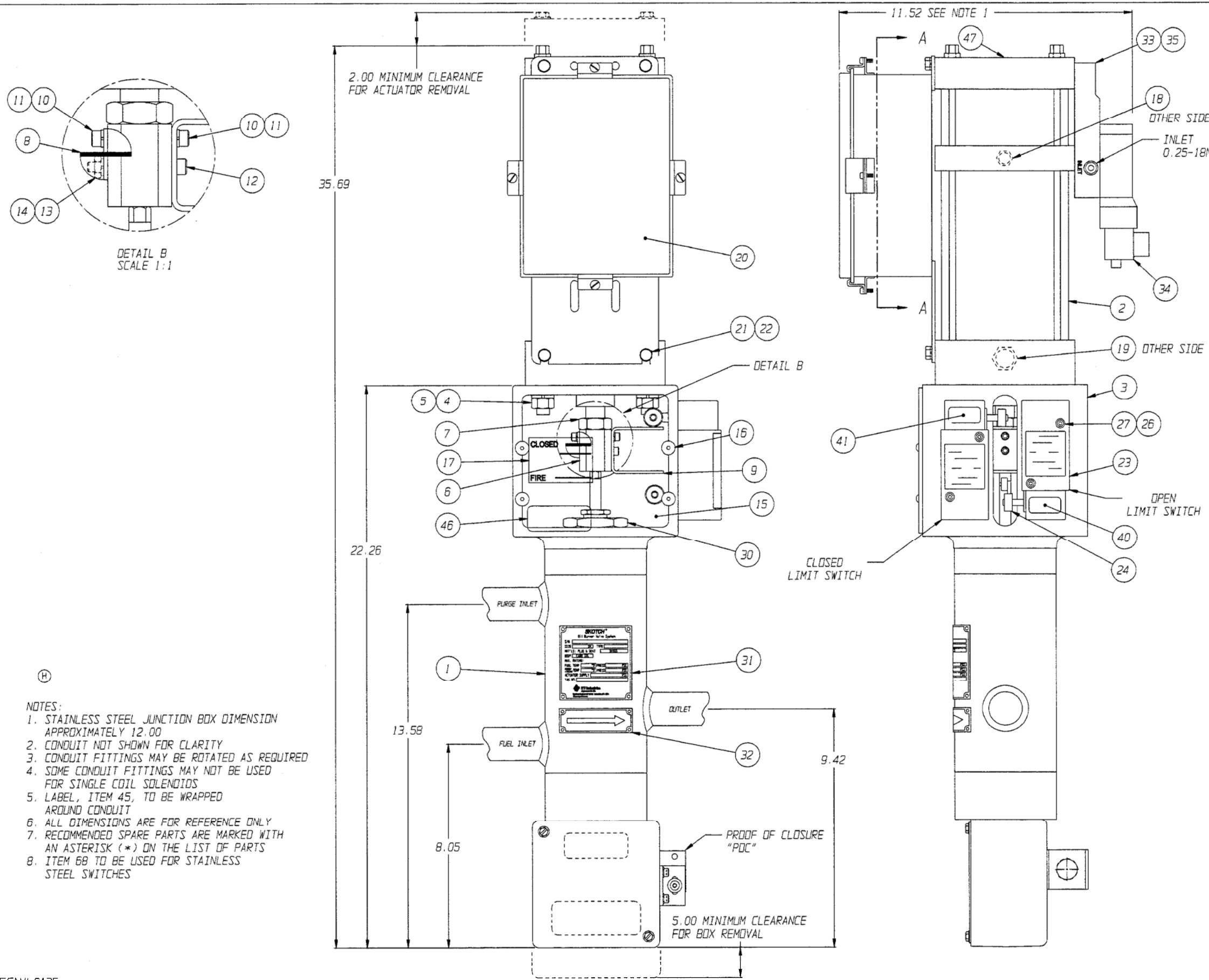
ITEM NO.	QUANTITY	
	NEMA 4	NEMA 7
22	2	-
23	6	4
24	4	2
25	1	-
32	-	1
33	-	2
34	-	2
35	-	2

- (G) NOTES:
- SEE ORDER SPECIFICATION FOR MAIN VALVE AND ACCESSORY/OPTIONS SPECIFICATIONS.
 - VALVE IS SHOWN IN CLOSED POSITION.
 - VALVE SHOWN IS LEFT TO RIGHT FLOW. FOR RIGHT TO LEFT FLOW, INLETS/OUTLETS ARE REVERSED.
 - * - DENOTES RECOMMENDED SPARE PART.
 - SPECIAL TOOL IS REQUIRED TO REMOVE SEATS. CONSULT FACTORY.
 - (F) FOR QUANTITY SEE TABLE 1
 - LABEL, ITEM 38, TO BE PLACED ON TOP OF SWITCH HEAD

ECN# 3158

THIS DOCUMENT IS THE PROPERTY OF ITT ENGINEERED VALVES AND IS LOANED SUBJECT TO RETURN. IT IS ISSUED IN STRICT CONFIDENCE AND SHALL NOT BE REPRODUCED, OR COPIED, OR DISCLOSED IN WHOLE OR IN PART, OR USED AS THE BASIS FOR THE MANUFACTURE OR SALES OF APPARATUS WITHOUT THE EXPRESS WRITTEN CONSENT OF ITT ENGINEERED VALVES.

PART NO. -				PATTERN NO. -			
TOLERANCES EXCEPT AS NOTED				WEIGHT		SCALE	
.XX ± .02				X		1:1	
.XXX ± .005				DATE		BY	
ANGLES 10, 30°				OWN		12/10/97 JDN	
REMOVE ALL BURRS AND SHARP EDGES				CHKD		1/21/98 MJD	
ALL MACHINED SURFACES TO BE 125 UNLESS NOTED				APVD		1/21/98 MJD	
SUPERSEDES -				MAIN VALVE ASSEMBLY OIL BURNER VALVE SYSTEM			
				ITC Fluid Technology Corporation Lancaster, Pa. SHEET 1 OF 1			
				SIZE		DRAWING NUMBER	
				D		03-005	
				REV		G	



LIST OF PARTS			
ITEM	DWG. NO.	QTY.	DESCRIPTION
1	-	1	VALVE BODY
2	117483	1	ACT PNEUM TANDEM CYLINDER
3	117602	1	YOKES
4	-	4	NUT HEX .50-20
5	-	4	LOCKWASHER SPRING 0.50
6	06-015	1	STEM CONNECTOR
7	-	1	NUT HEX JAM .75-16
8	06-028	1	INDICATOR VISUAL
9	06-029	1	BRACKET SWITCH TRIP
10	-	2	CAPSCR HEXSKT 10-32X0.38
11	-	2	LOCKWASHER SPRING #10
12	-	1	CAPSCR HEXSKT 10-32X1.75
13	-	1	NUT HEX 10-32
14	-	1	LOCKWASHER SPRING #10
15	06-107	1	LENS YOKE
16	-	4	CAPSCR BUTHD 10-32X0.50
17	90-002	1	DECAL LENS
18	-	1	VENT BREATHER .25
19	-	1	VENT BREATHER .50
20	117481	1	BOX JUNCTION 8 X 6
21	-	4	CAPSCR HEX .25-20X0.38
22	-	4	LOCKWASHER EXT TOOTH 0.25
23	-	2	SWITCH
24	-	2	SWITCH LEVER
25	-	2	ADAPTER PLATE
26	-	4	CAPSCR HEXSKT 10-32X2.00
27	-	4	LOCKWASHER SPRING HI-COLLAR #10
28	-	4	CAPSCR BUTHD 10-32X0.50
29	-	4	CAPSCR HEXSKT 10-32X1.25
30	-	1	NUT YOKE LOCK
31	-	1	TAG
32	-	1	TAG FLOW
33	117484	1	MANIFOLD ADAPTER BLOCK
34	-	2	SOLENOID
35	-	2	O-RING #114
36	-	4	CAPSCR HEXSKT 0.25-20X1.00
37	-	4	LOCKWASHER SPRING HI-COLLAR 0.25
38	-	AR	CAPSCR HEXSKT #8-32X1.25
39	-	AR	LOCKWASHER SPRING HI-COLLAR #8
40	117498	1	LABEL - ACTUATOR OPEN SWITCH
41	117499	1	LABEL - ACTUATOR CLOSED SWITCH
42	117533	1	JUNCTION BOX SUBPLATE
43	117501	1	LABEL - FIRE SOLENOID
44	117502	1	LABEL - PURGE SOLENOID
45	117503	AR	LABEL - CAUTION CONDUIT
46	117504	2	LABEL - CAUTION STEM PACKING
47	90-018	1	LABEL - CAUTION SPRING
48	-	1	FLOW CONTROL PLATE
49	-	3	CAPSCR HEXSKT #8-32X1.75
50	-	AR	MOUNTING RAIL
51	-	AR	SCREW, TAPPING PAN HD #8X0.50
52	-	AR	TERMINAL CLIP
53	-	AR	TERMINAL
54	-	AR	END BARRIER
55	-	AR	FITTING CONDUIT 0.50 LGT STR
56	-	AR	FITTING CONDUIT 0.50 HUB
57	-	AR	FITTING CONDUIT 0.50 LGT 45
58	-	AR	FITTING CONDUIT 0.50 LGT 90
59	-	AR	FITTING CONDUIT 0.50 90 MXF CLI
60	-	AR	FITTING CONDUIT 0.50 90 FXF CLI
61	-	AR	FITTING CONDUIT 0.50 SEAL FXM V/H CLI
62	-	AR	VALVE CHECK INLET
63	-	AR	FITTING COUPLER 0.25FNPTX0.25FNPT
64	-	AR	NIPPLE 0.50
65	-	1	MUFFLER
66	-	AR	VENT BREATHER #10-32
67	-	AR	NIPPLE 0.50
68	-	AR	HEX, BUSHING 0.75 X 0.50

- NOTES:
1. STAINLESS STEEL JUNCTION BOX DIMENSION APPROXIMATELY 12.00
 2. CONDUIT NOT SHOWN FOR CLARITY
 3. CONDUIT FITTINGS MAY BE ROTATED AS REQUIRED
 4. SOME CONDUIT FITTINGS MAY NOT BE USED FOR SINGLE COIL SOLENOIDS
 5. LABEL, ITEM 45, TO BE WRAPPED AROUND CONDUIT
 6. ALL DIMENSIONS ARE FOR REFERENCE ONLY
 7. RECOMMENDED SPARE PARTS ARE MARKED WITH AN ASTERISK (*) ON THE LIST OF PARTS
 8. ITEM 68 TO BE USED FOR STAINLESS STEEL SWITCHES

ECN# 6135

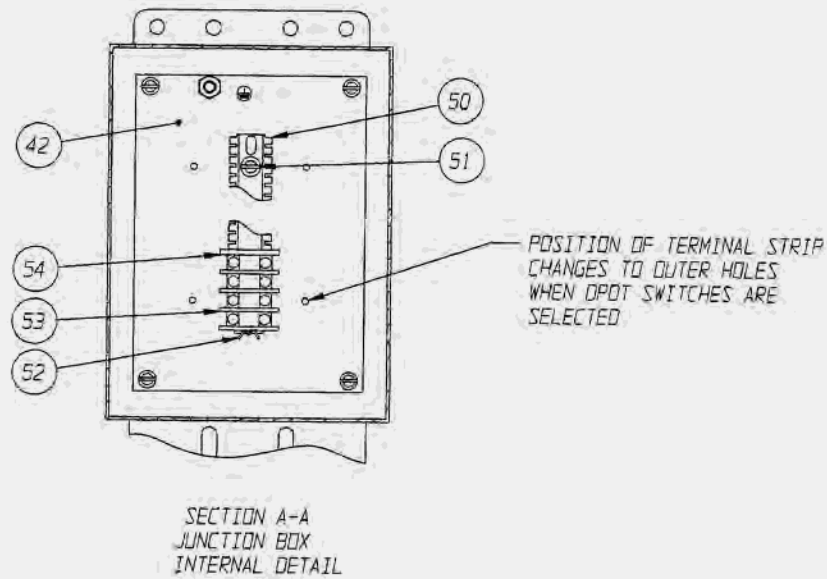
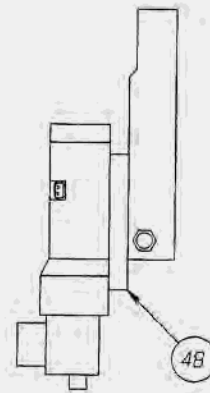
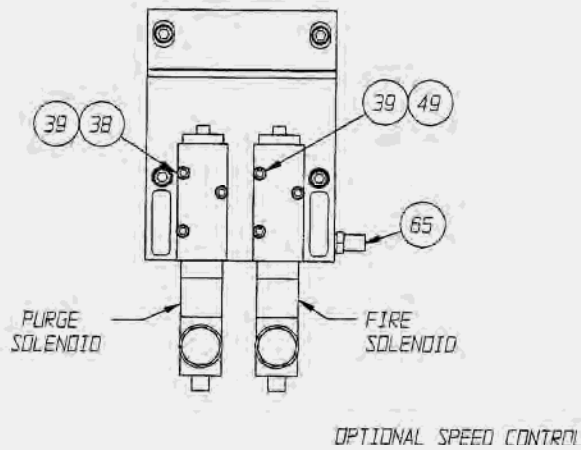
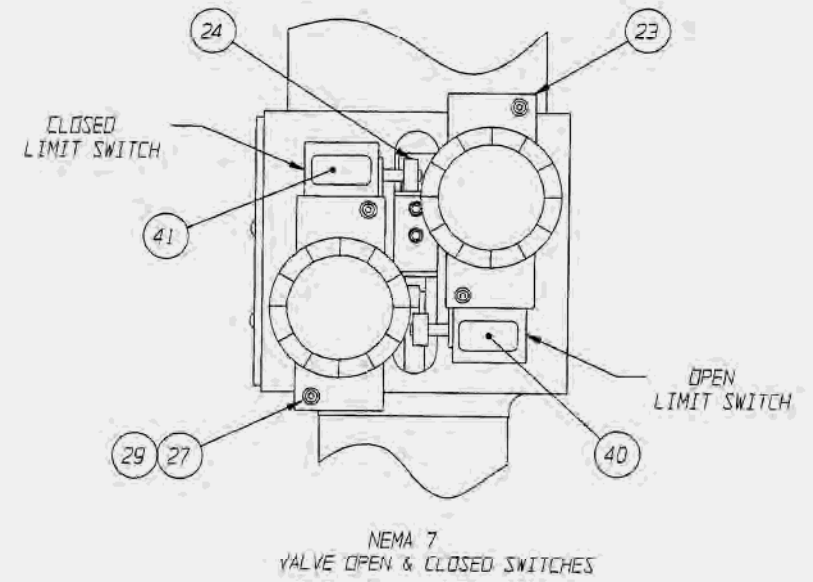
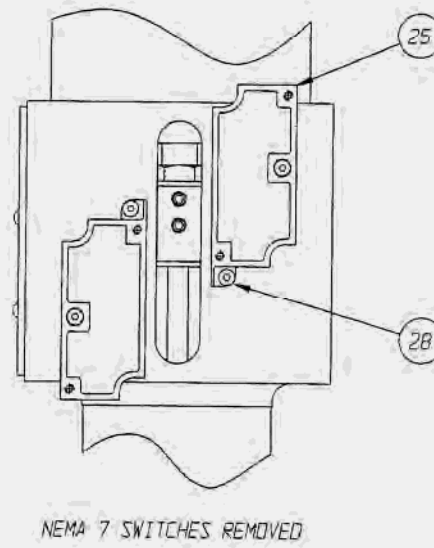
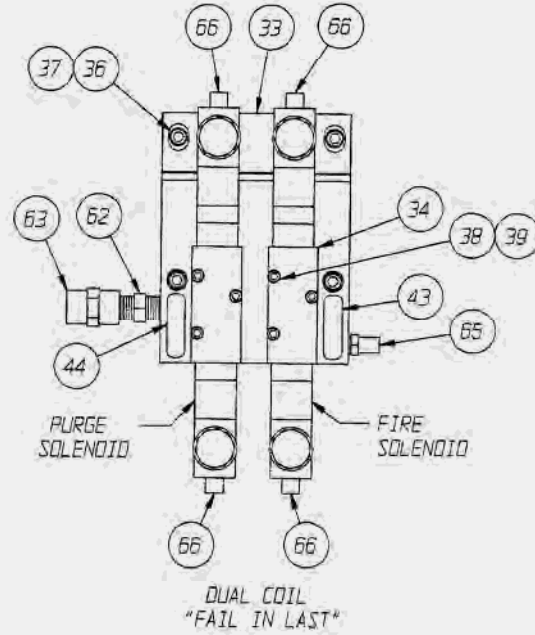
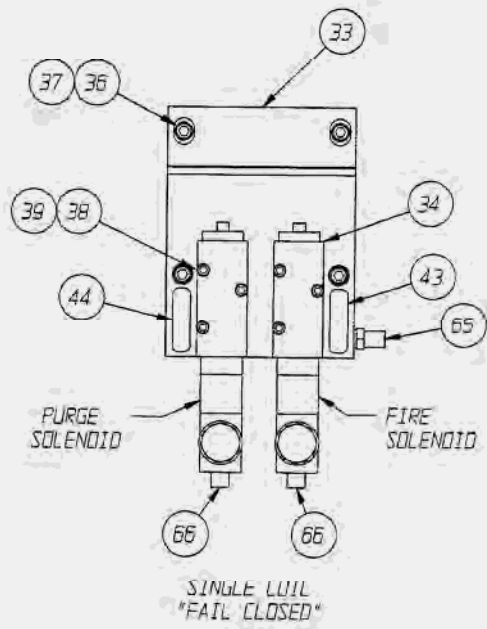
THIS DOCUMENT IS THE SOLE PROPERTY OF IIT INDUSTRIES, INC., OR ITS SUBSIDIARY, AND IS PROVIDED SUBJECT TO RETURN. IT IS ISSUED IN STRICT CONFIDENCE AND SHALL NOT BE REPRODUCED, OR COPIED, OR DISCLOSED IN WHOLE OR IN PART, OR USED AS THE BASIS FOR THE MANUFACTURE OR SALES OF APPARATUS OR PARTS TO WHICH THE DOCUMENT RELATES, WITHOUT THE EXPRESS WRITTEN CONSENT OF IIT INDUSTRIES, INC., OR ITS SUBSIDIARY. THIS LEGEND SHALL BE MARKED ON ANY REPRODUCTION HEREOF, IN WHOLE OR IN PART. ALL RIGHTS TO THE INFORMATION AND DESIGN DISCLOSED HEREIN ARE RESERVED TO IIT INDUSTRIES, INC., OR ITS SUBSIDIARY.

THIRD ANGLE PROJECTION	UNLESS OTHERWISE NOTED X ± .06 (1.5mm) .X ± .03 (.76mm) .XX ± .02 (.5mm) .XXX ± .005 (.12mm) X/X ± 1/16 (1.5mm) X* ± .5 X* ± 1	WEIGHT	SCALE	VALVE/ACTUATOR ASSEMBLY	<p>Engineered Valves Lancaster, PA USA</p>
	UNLESS OTHERWISE SPECIFIED, ALL DIMENSIONS ARE IN INCHES EXCEPT AS NOTED	DATE	BY	T2000	
		CHKD	APVD		SIZE D
					DRAWING NUMBER 117480
					SHEET 1 OF 4
					REV H

PATTERN NO. -

FILE COPY

Printed 12-20-04 03:30:10

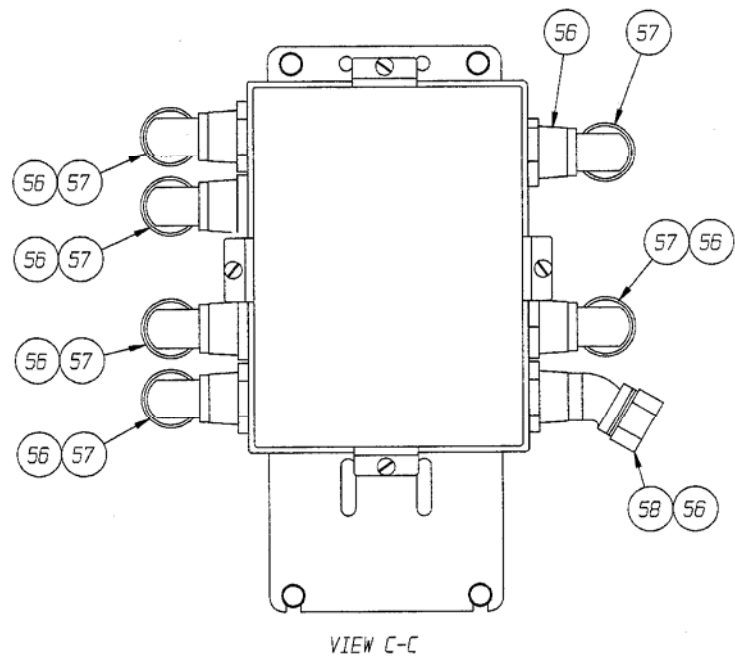


ECN# 6135

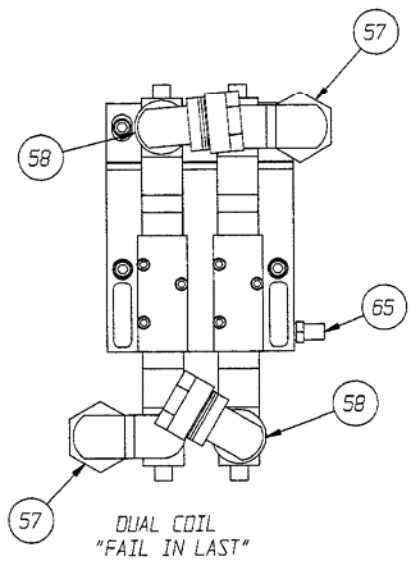
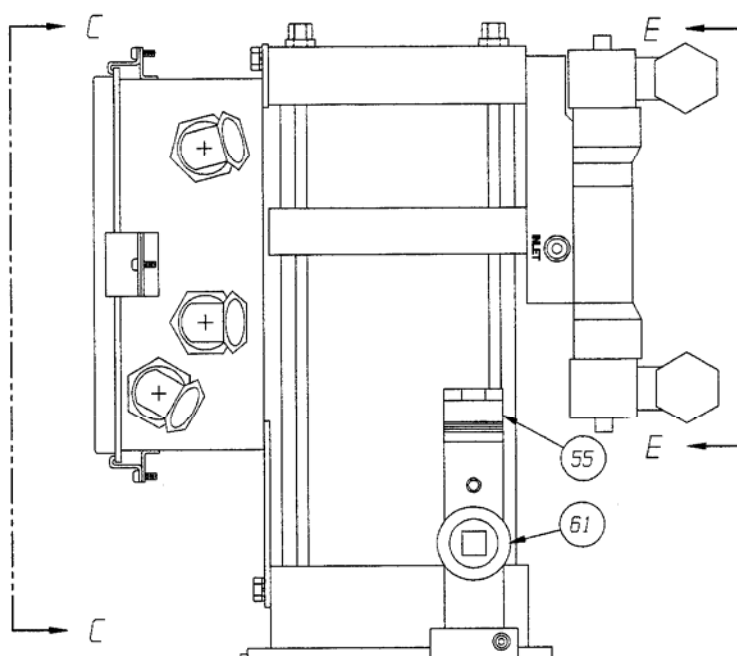
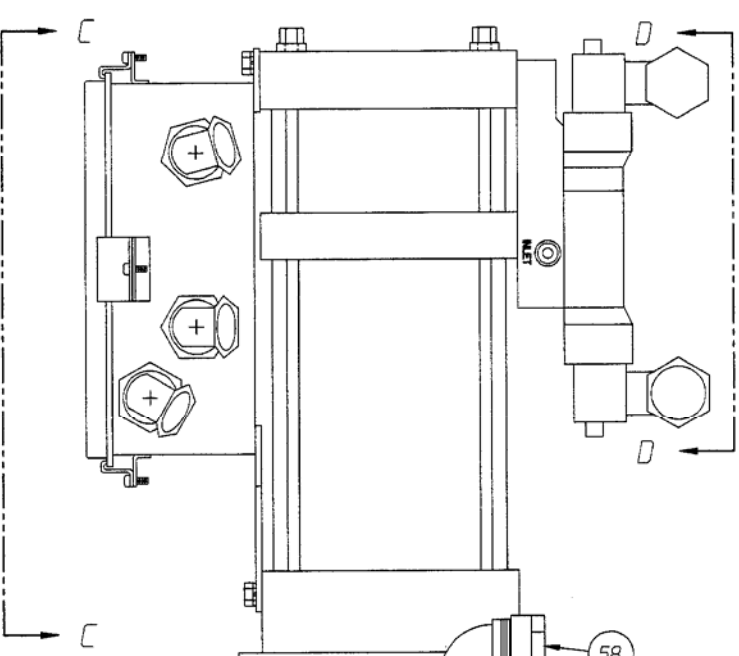
THIS DOCUMENT IS THE SOLE PROPERTY OF ITT INDUSTRIES, INC., OR ITS SUBSIDIARY, AND IS PROVIDED SUBJECT TO RETURN. IT IS ISSUED IN STRICT CONFIDENCE AND SHALL NOT BE REPRODUCED, OR COPIED, OR DISCLOSED IN WHOLE OR IN PART, OR USED AS THE BASIS FOR THE MANUFACTURE OR SALES OF APPARATUS OR PARTS TO WHICH THE DOCUMENT RELATES, WITHOUT THE EXPRESS WRITTEN CONSENT OF ITT INDUSTRIES, INC., OR ITS SUBSIDIARY. THIS LEGEND SHALL BE MARKED ON ANY REPRODUCTION HEREOF, IN WHOLE OR IN PART. ALL RIGHTS TO THE INFORMATION AND DESIGN DISCLOSED HEREIN ARE RESERVED TO ITT INDUSTRIES, INC., OR ITS SUBSIDIARY.

THIRD ANGLE PROJECTION		UNLESS OTHERWISE NOTED: X ± .05 (1.2mm) .X ± .03 (.76mm) .XX ± .02 (.5mm) .XXX ± .005 (.12mm) XX ± 1/16 (1.5mm) X ± 1/32 X ± 1/64		WEIGHT	SCALE	VALVE/ACTUATOR ASSEMBLY		 Engineered Valves Lancaster, PA USA
		REMOVE ALL BURS AND SHARP EDGES ALL FINISHED SURFACES TO BE 125 EXCEPT AS NOTED		DATE	T2000	SIZE	PATTERN NO. -	
UNLESS OTHERWISE SPECIFIED, ALL DIMENSIONS ARE IN INCHES.				BY		DRAWING NUMBER	SHEET	
				CHKD		117480	REV	
				APVD		2 OF 4	H	

FILE COPY

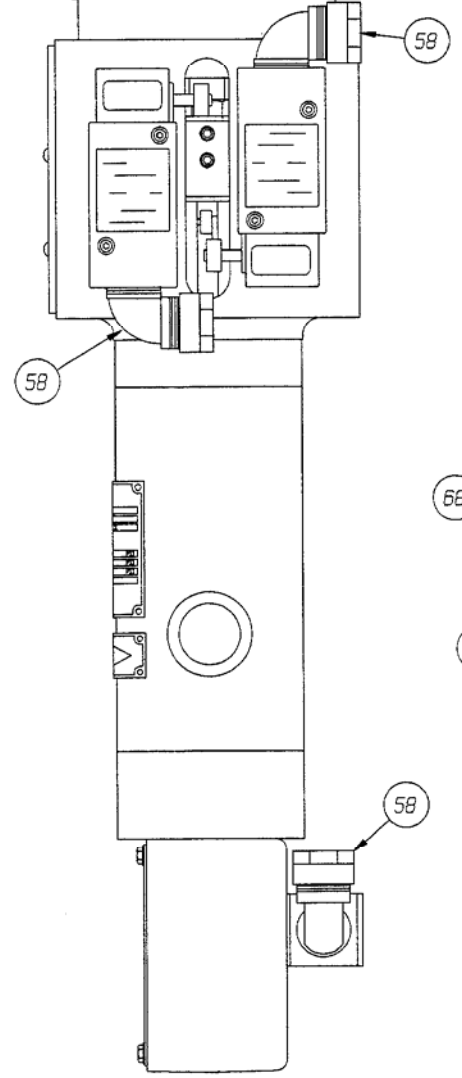


VIEW C-C

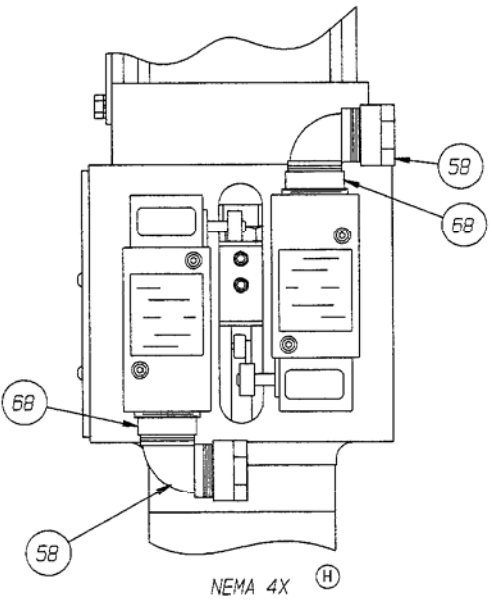


DUAL COIL
"FAIL IN LAST"

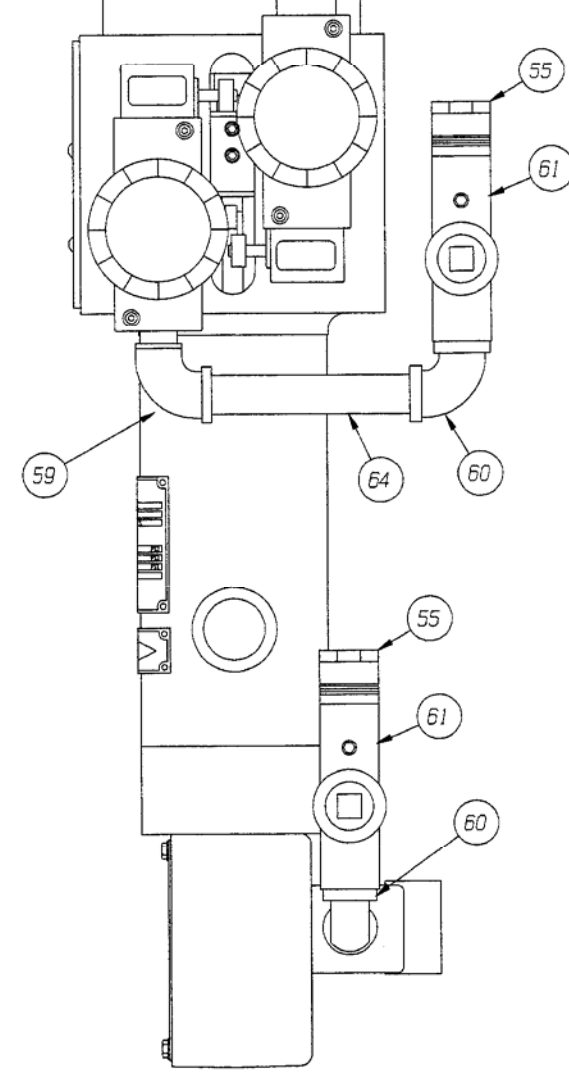
VIEW D-D



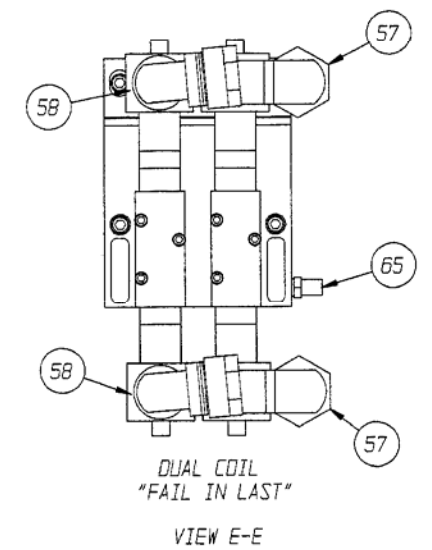
STANDARD



NEMA 4X



CLASS 1 DIV 2
LEFT TO RIGHT FLOW

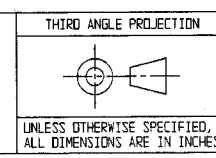


DUAL COIL
"FAIL IN LAST"

VIEW E-E

ECN# 6135

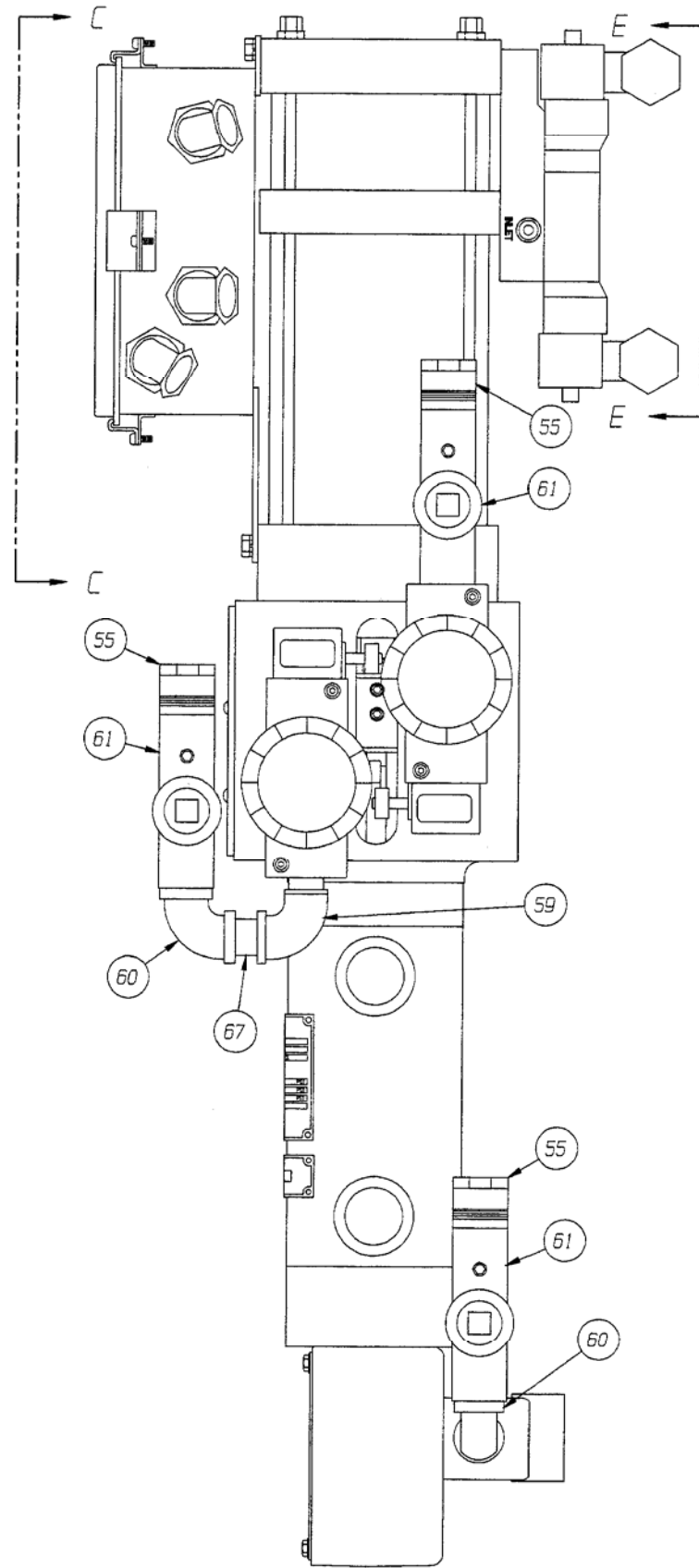
THIS DOCUMENT IS THE SOLE PROPERTY OF ITT INDUSTRIES, INC., OR ITS SUBSIDIARY, AND IS PROVIDED SUBJECT TO RETURN. IT IS ISSUED IN STRICT CONFIDENCE AND SHALL NOT BE REPRODUCED, OR COPIED, OR DISCLOSED IN WHOLE OR IN PART, OR USED AS THE BASIS FOR THE MANUFACTURE OR SALES OF APPARATUS OR PARTS TO WHICH THE DOCUMENT RELATES, WITHOUT THE EXPRESS WRITTEN CONSENT OF ITT INDUSTRIES, INC., OR ITS SUBSIDIARY. THIS LEGEND SHALL BE MARKED ON ANY REPRODUCTION HEREOF, IN WHOLE OR IN PART. ALL RIGHTS TO THE INFORMATION AND DESIGN DISCLOSED HEREIN ARE RESERVED TO ITT INDUSTRIES, INC., OR ITS SUBSIDIARY.



UNLESS OTHERWISE NOTED		WEIGHT	SCALE	VALVE/ACTUATOR ASSEMBLY	
X ± .06 (1.5mm)			1:2	T2000	
.X ± .03 (.76mm)		DATE	BY		
.XX ± .02 (.5mm)		DWN	9/25/01	RJC	
.XXX ± .005 (.12mm)		CHKD	10/24/01	RJC	
X/X ± 1/16 (1.5mm)		APVD	10/24/01	RJC	
X" ± .5"		SUPERSEDES: -			
UNLESS OTHERWISE SPECIFIED, ALL DIMENSIONS ARE IN INCHES					
REMOVE ALL BURRS AND SHARP EDGES					
ALL MACHINED SURFACES TO BE TO					
EXCEPT AS NOTED					

ITT Industries			
Engineered Valves Lancaster, PA USA			
SIZE	DRAWING NUMBER	SHEET	REV
D	117480	3 OF 4	H

FILE COPY



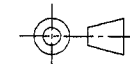
CLASS 1 DIV 2
RIGHT TO LEFT FLOW

ECN# 6135

PATTERN NO. -

THIS DOCUMENT IS THE SOLE PROPERTY OF ITT INDUSTRIES, INC., OR ITS SUBSIDIARY, AND IS PROVIDED SUBJECT TO RETURN. IT IS ISSUED IN STRICT CONFIDENCE AND SHALL NOT BE REPRODUCED, OR COPIED, OR DISCLOSED IN WHOLE OR IN PART, OR USED AS THE BASIS FOR THE MANUFACTURE OR SALES OF APPARATUS OR PARTS TO WHICH THE DOCUMENT RELATES, WITHOUT THE EXPRESS WRITTEN CONSENT OF ITT INDUSTRIES, INC., OR ITS SUBSIDIARY. THIS LEGEND SHALL BE MARKED ON ANY REPRODUCTION HEREOF, IN WHOLE OR IN PART. ALL RIGHTS TO THE INFORMATION AND DESIGN DISCLOSED HEREIN ARE RESERVED TO ITT INDUSTRIES, INC., OR ITS SUBSIDIARY.

THIRD ANGLE PROJECTION



UNLESS OTHERWISE SPECIFIED,
ALL DIMENSIONS ARE IN INCHES

UNLESS OTHERWISE NOTED

X ± .06 (1.5mm)
X ± .03 (.76mm)
.XX ± .02 (.5mm)
.XXX ± .005 (.12mm)
X/X ± 1/16 (1.5mm)
X° ± 5°
X° ± 1°

WEIGHT SCALE

- 1:2
DATE BY
DWN 1/25/01 ke
CHKD 1/24/01 MCA
APVD 1/24/01 MCA

VALVE/ACTUATOR ASSEMBLY

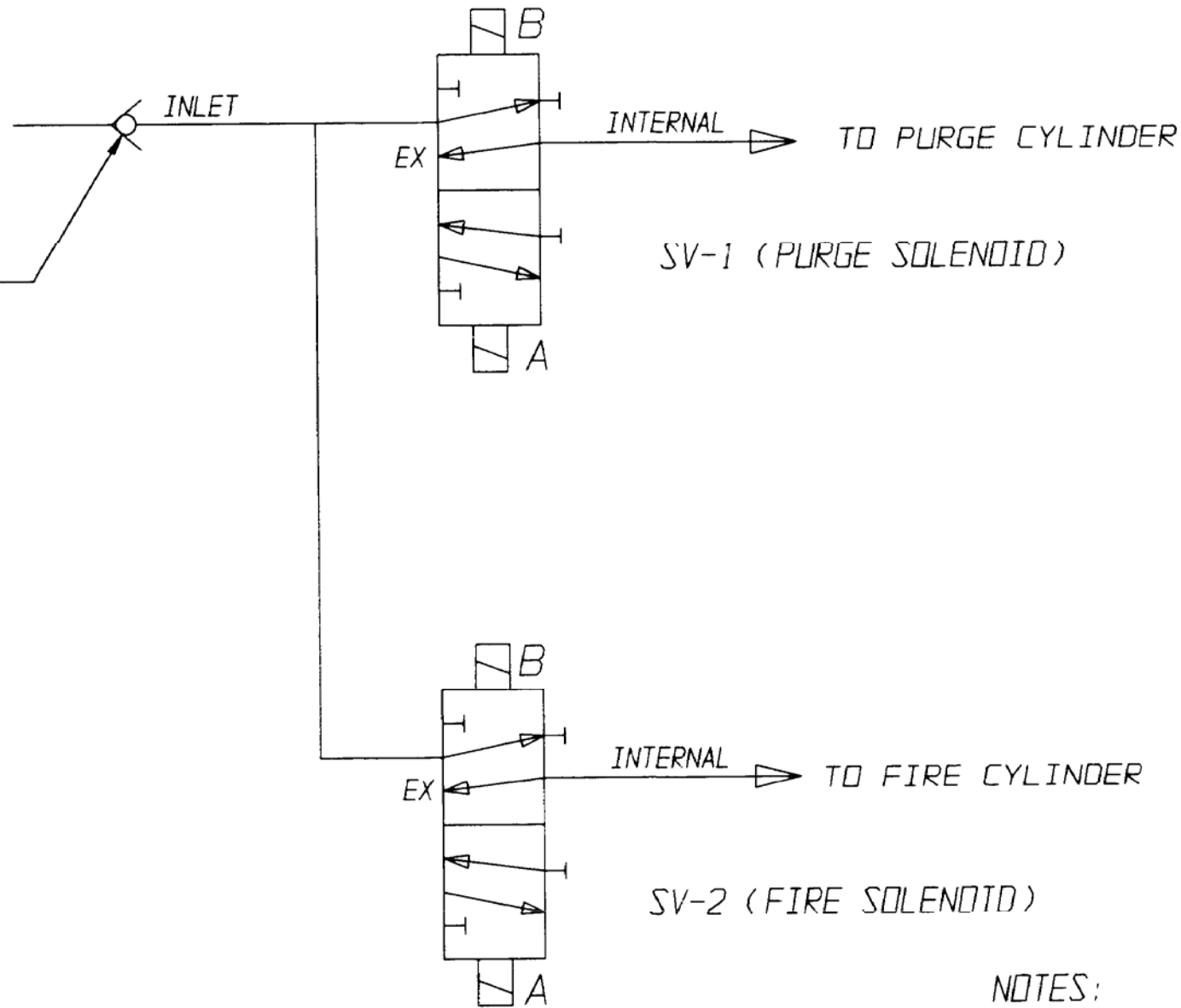
T2000
SUPERSEDES:-

ITT Industries Engineered Valves Lancaster, PA USA		SIZE	DRAWING NUMBER	SHEET	REV
		D	117480	4 OF 4	H

APPROVED COPY

DRY, CLEAN
REGULATED
PNEUMATIC SUPPLY
(70-120 PSIG)

CHECK VALVE



NOTES:

1. SV-1 AND SV-2 ARE MANIFOLDED, DUAL COIL, MOMENTARY CONTACT SOLENOID VALVES.
2. VALVES SHOWN WITH COIL "B" LAST ENERGIZED.
3. PORT IDENTIFICATION REFERENCES MANIFOLD BLOCK

ECN#3158

PART NO. -

PATTERN NO. -

THIS DOCUMENT IS THE PROPERTY OF ITT ENGINEERED VALVES AND IS LOANED SUBJECT TO RETURN. IT IS ISSUED IN STRICT CONFIDENCE AND SHALL NOT BE REPRODUCED, OR COPIED, OR DISCLOSED IN WHOLE OR IN PART, OR USED AS THE BASIS FOR THE MANUFACTURE OR SALES OF APPARATUS WITHOUT THE EXPRESS WRITTEN CONSENT OF ITT ENGINEERED VALVES.

TOLERANCES
EXCEPT AS NOTED
DECIMALS
.XX ±.02
.XXX ±.005
ANGLES ±0.50°
REMOVE ALL BURRS
AND SHARP EDGES
ALL MACHINED
SURFACES TO BE
125 EXCEPT AS
NOTED

WEIGHT	SCALE
-	-
DATE	BY
OWN 11/6/97	JDM
CHKD 11/21/98	WJC
APVD 11/21/98	WJC

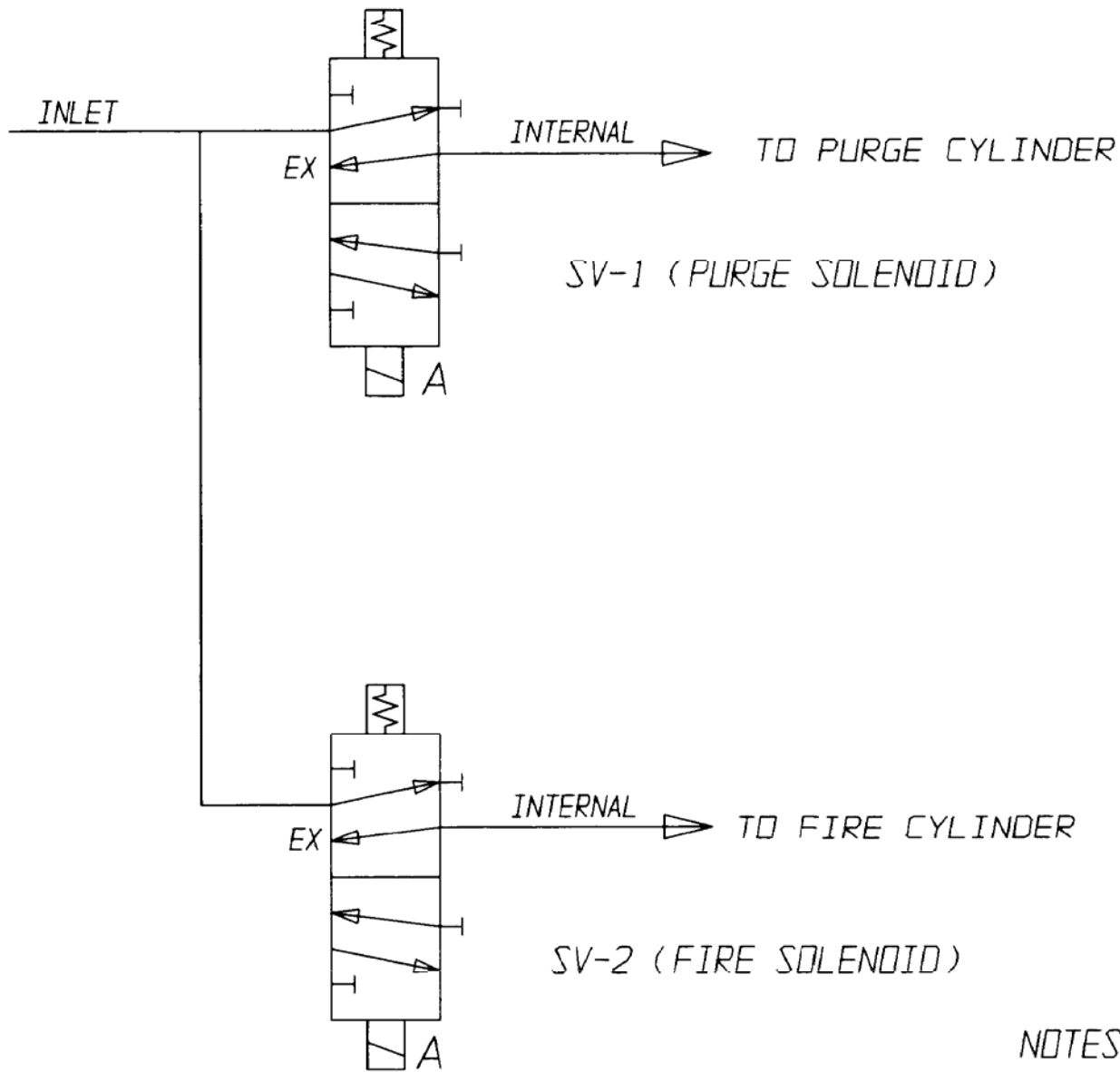
PNEUMATIC SCHEMATIC
OIL BURNER VALVE
FAIL IN LAST POSITION
-
-
-
SUPERSEDES: -

ITT Engineered Valves

ITT Fluid Technology Corporation
Lancaster, Pa
SHEET 1 OF 1

SIZE	DRAWING NUMBER	REV
B	117485	-

DRY, CLEAN
REGULATED
PNEUMATIC SUPPLY
(70-120 PSIG)



NOTES:

1. SV-1 AND SV-2 ARE MANIFOLDED, SINGLE COIL, SPRING RETURN MAINTAINED CONTACT SOLENOID VALVES.
2. VALVES SHOWN WITH COIL "A" DE-ENERGIZED.
3. PORT IDENTIFICATION REFERENCES MANIFOLD BLOCK

THIS IS A FACTORY MUTUAL CONTROLLED DOCUMENT. CHANGES MUST BE APPROVED BY FM PRIOR TO IMPLEMENTING.

ECN#3158

PART NO. -

PATTERN NO. -

THIS DOCUMENT IS THE PROPERTY OF ITT ENGINEERED VALVES AND IS LOANED SUBJECT TO RETURN. IT IS ISSUED IN STRICT CONFIDENCE AND SHALL NOT BE REPRODUCED, OR COPIED, OR DISCLOSED IN WHOLE OR IN PART, OR USED AS THE BASIS FOR THE MANUFACTURE OR SALES OF APPARATUS WITHOUT THE EXPRESS WRITTEN CONSENT OF ITT ENGINEERED VALVES.

TOLERANCES
EXCEPT AS NOTED
DECIMALS
.XX ± .02
.XXX ± .005
ANGLES ±0.50°
REMOVE ALL BURRS
AND SHARP EDGES
ALL MACHINED
SURFACES TO BE
125/ EXCEPT AS
NOTED

WEIGHT	SCALE	
-	-	
	DATE	BY
DWN	11/6/97	JDN
CHKD	1/21/98	MJC
APVD	1/21/98	MJC

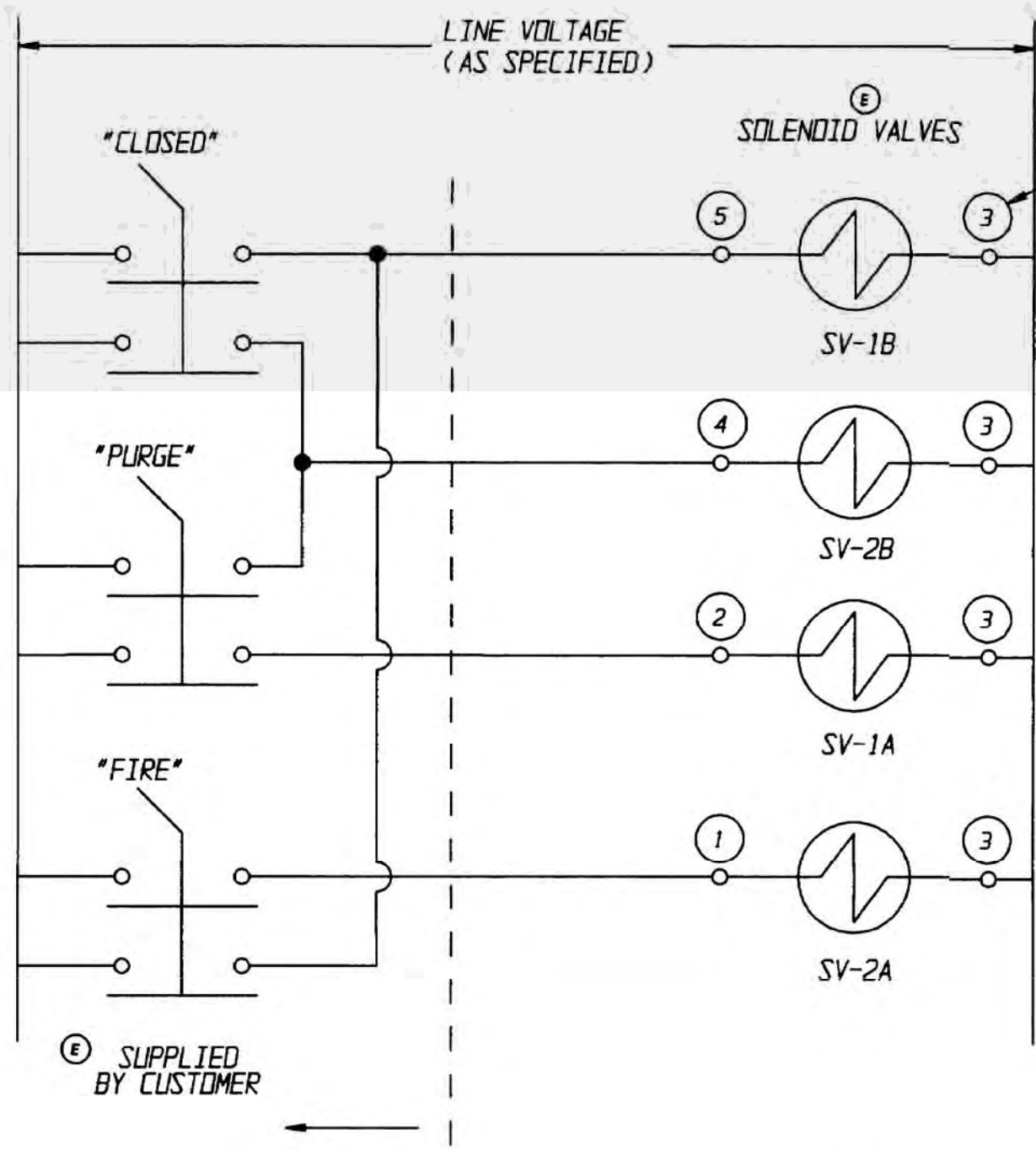
PNEUMATIC SCHEMATIC
OIL BURNER VALVE
FAIL CLOSED

SUPERSEDES: -

ITT Engineered Valves

ITT Fluid Technology Corporation
Lancaster, Pa
SHEET 1 OF 1

SIZE	DRAWING NUMBER	REV
B	117486	-



SEE NOTE 8

- (E) NOTES:
1. COILS SV-1A AND SV-1B FORM A DUAL COIL SOLENOID VALVE CONTROLLING PURGE FLOW.
 2. COILS SV-2A AND SV-2B FORM A DUAL COIL SOLENOID VALVE CONTROLLING FUEL FLOW.
 3. SWITCHES ARE MOMENTARY CONTACT TYPE.
 4. ○ - REPRESENTS A WIRE NUMBER.
 5. SEE ORDER SPECIFICATION FOR SOLENOID VOLTAGE RATING.
 6. APPLICATION: ALL FAIL IN LAST OIL VALVES.
 7. DO NOT ENERGIZE SOLENOID COILS SV-1A AND SV-1B OR SV-2A AND SV-2B SIMULTANEOUSLY OR SOLENOID DAMAGE CAN OCCUR.
 8. WIRE MARKER NUMBERS SHOWN ARE FOR AC SOLENOIDS. SEE DRAWING 60-009 FOR DC WIRE MARKER NUMBERS.

FILE COPY

WR# -

PART NO. -

PATTERN NO. -

THIS DOCUMENT IS THE PROPERTY OF ITT ENGINEERED VALVES AND IS LOANED SUBJECT TO RETURN. IT IS ISSUED IN STRICT CONFIDENCE AND SHALL NOT BE REPRODUCED, OR COPIED, OR DISCLOSED IN WHOLE OR IN PART, OR USED AS THE BASIS FOR THE MANUFACTURE OR SALES OF APPARATUS WITHOUT THE EXPRESS WRITTEN CONSENT OF ITT ENGINEERED VALVES.

REV	DATE	W.R. NBR	BY	CHKD	APVD
E	4/27/95		ZSS	MAD	MAD
D	10/90		JRB		

TOLERANCES EXCEPT AS NOTED DECIMALS
 .XX ± .02
 .XXX ± .005
 ANGLES ± 0.50°
 REMOVE ALL BURRS AND SHARP EDGES
 ALL MACHINED SURFACES TO BE 125 ✓ EXCEPT AS NOTED

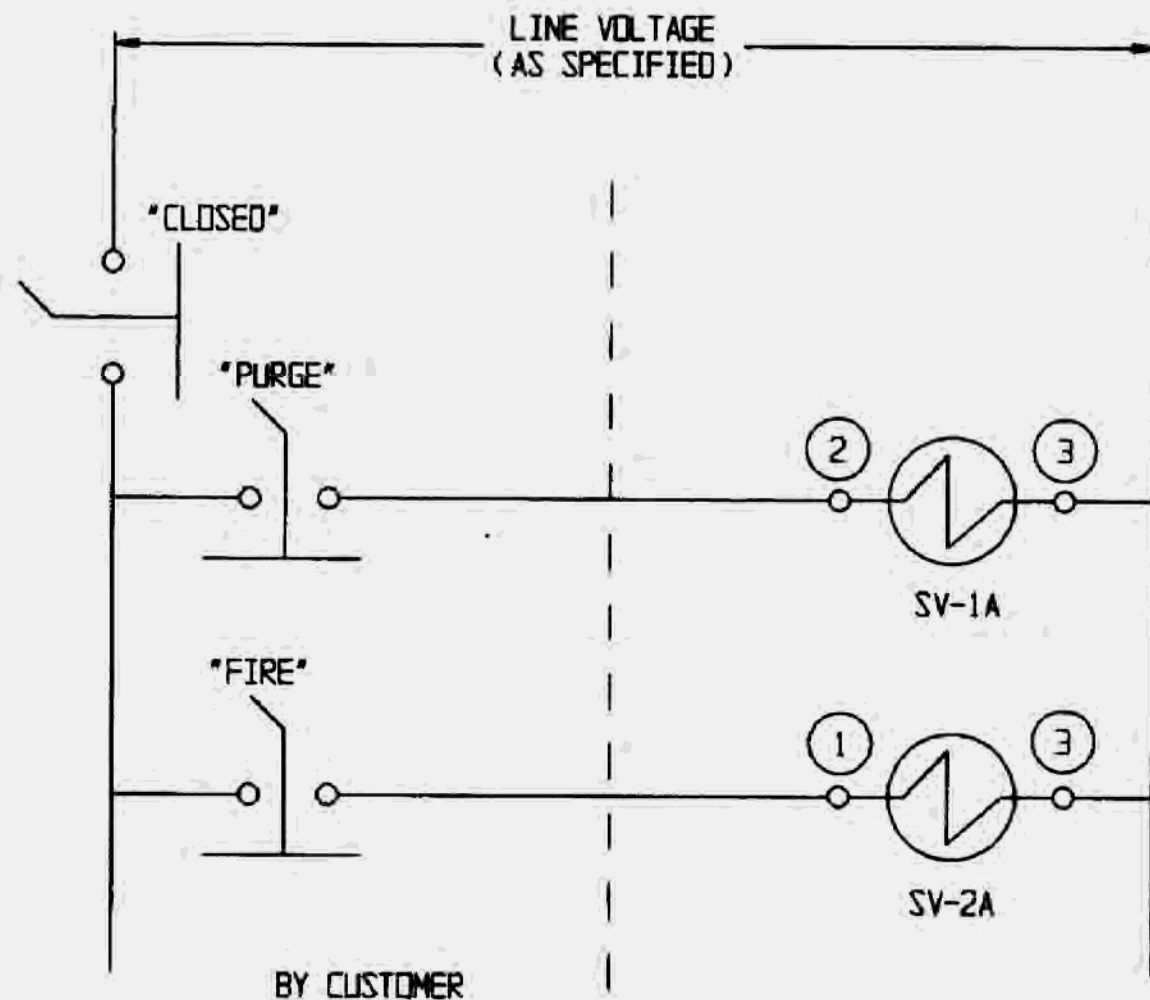
WEIGHT	SCALE
-	-
DATE	BY
DWN 10/90	GCS
CHKD 10/90	JRB
APVD	

ELECTRICAL SCHEMATIC
 OIL BURNER VALVE
 PNEUMATIC - FAIL IN LAST
 SUPERSEDES: -

ITT Engineered Valves
 ITT Fluid Technology Corporation
 Lancaster, Pa
 SHEET 1 OF 1

SIZE	DRAWING NUMBER	REV
B	60-003	E

THIS DOCUMENT IS THE PROPERTY OF ITT ENGINEERED VALVES AND IS LOANED SUBJECT TO RETURN. IT IS ISSUED IN STRICT CONFIDENCE AND SHALL NOT BE REPRODUCED, OR COPIED, OR DISCLOSED IN WHOLE OR IN PART, OR USED AS THE BASIS FOR THE MANUFACTURE OR SALES OF APPARATUS WITHOUT THE EXPRESS WRITTEN CONSENT OF ITT ENGINEERED VALVES.



- NOTES: 1) SV-1A AND SV-2A ARE MANIFOLDED SINGLE COIL SPRING RETURN SOLENOID VALVES.
 2) SWITCHES ARE MAINTAINED CONTACT TYPE.
 3) ○ REPRESENTS A WIRE NUMBER.
 4) WIRE NUMBERS ARE FOR A.C. SOLENOIDS. SEE 60-009 FOR D.C. SOLENOID WIRE NUMBERS.
 5) SV-1A CONTROLS PURGE FLOW. SV-2A CONTROLS FUEL OR FUEL AND ATOMIZING FLOW.
 6) SEE ORDER SPECIFICATION FOR SOLENOID VOLTAGE RATING.

FILE COPY

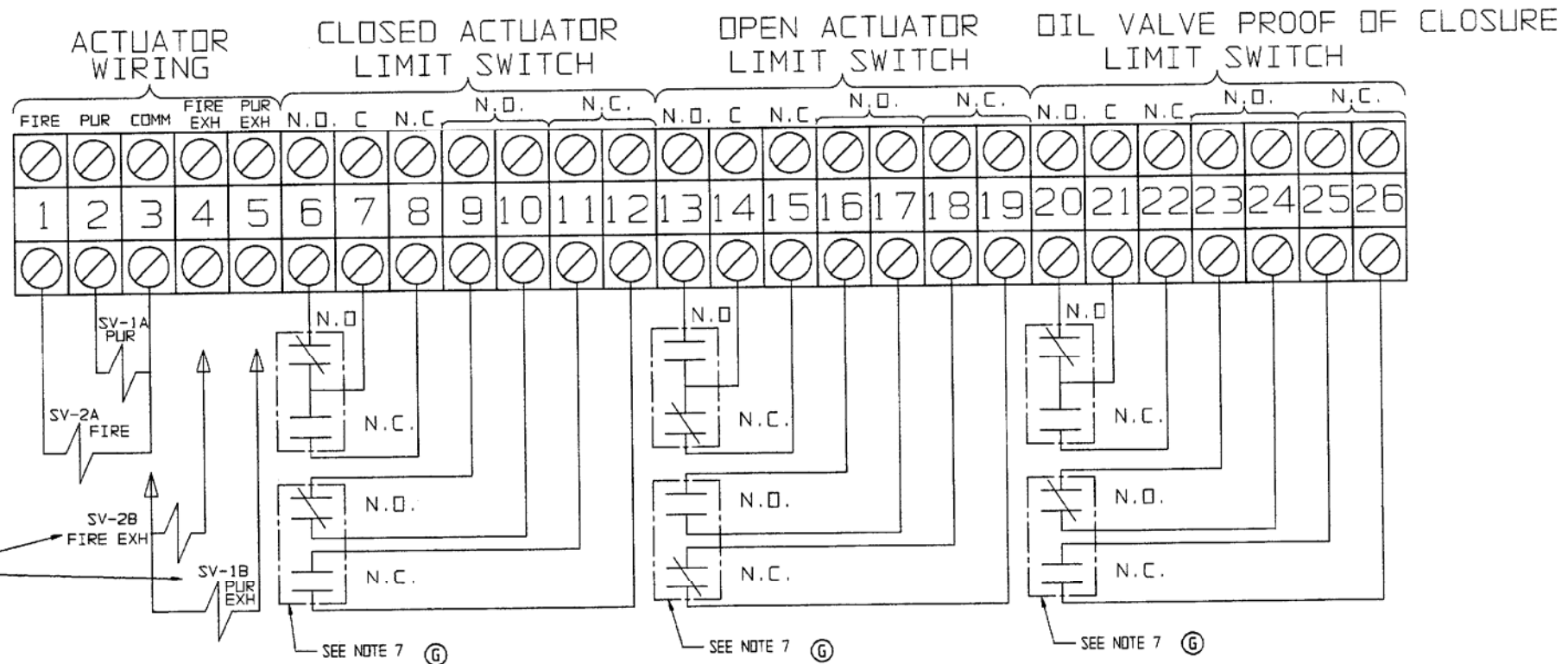
Ⓐ THIS IS A FACTORY MUTUAL CONTROLLED DOCUMENT, CHANGES MUST BE APPROVED BY FM PRIOR TO IMPLEMENTING.

WR# -

PART NO. 60-004

PATTERN NO. -

TOLERANCES EXCEPT AS NOTED DECIMALS .XX ± .02 .XXX ± .005 ANGLES ±0.50° REMOVE ALL BURRS AND SHARP EDGES ALL MACHINED SURFACES TO BE 125 ✓ EXCEPT AS NOTED						WEIGHT N/A SCALE N/A		ELECTRICAL SCHEMATIC OIL BURNER VALVE PNEUMATIC - FAIL CLOSED	ITT Engineered Valves ITT Fluid Technology Corporation Lancaster, Pa SHEET 1 OF 1			
						DATE	BY					SIZE
						DWN	10/90		GCS	A	60-004	A
						CHKD	10/90		JRB	SUPERSEDES:-		
REV	DATE	ECN NBR	BY	CHKD	APVD	APVD						
A	11/03/94	1057	WGH	MMS	MMS							



SWITCH LOGIC

SWITCH TYPE	CLOSED ACTUATOR (SPDT)		CLOSED ACTUATOR (DPDT)				OPEN ACTUATOR (SPDT)		OPEN ACTUATOR (DPDT)				P.O.C. (SPDT)		OIL VALVE P.O.C. (DPDT)			
	6-7	7-8	6-7	7-8	9-10	11-12	13-14	14-15	13-14	14-15	16-17	18-19	20-21	21-22	20-21	21-22	23-24	25-26
POSITION: CLOSE																		
POSITION: PURGE																		
POSITION: FIRE																		

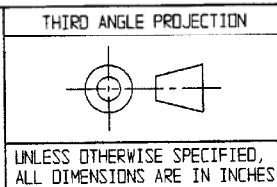
NOTES:

- SOLENOID VOLTAGE IS A.C.
- ALL SWITCHES SHOWN WITH MAIN VALVE IN CLOSED POSITION.
- SEE ORDER SPECIFICATION FOR SOLENOID VOLTAGE RATING.
- FOR T506, T1006 & T2006 DELETE SV-1B & SV-2B.
- FOR T505, T1005 & T2005 INCORPORATE SV-1B & SV-2B.
- FOR T1007 INCORPORATE SV-2B, DELETE SV-1B.
- WIRING SHOWN FOR DPDT SWITCHES. FOR SPDT SWITCHES, DELETE WIRE NO.'S 9, 10, 11, 12, 16, 17, 18, 19, 23, 24, 25 & 26.
- FOR PURGE INDICATION, WIRE N.C. CONTACTS OF OPEN ACTUATOR AND CLOSED ACTUATOR LIMIT SWITCHES IN SERIES.
- PUR = PURGE.

THIS IS A FACTORY MUTUAL CONTROLLED DOCUMENT, CHANGES MUST BE APPROVED BY FM PRIOR TO IMPLEMENTING.

ECN#8319

THIS DOCUMENT IS THE SOLE PROPERTY OF ITT INDUSTRIES, INC., OR ITS SUBSIDIARY, AND IS PROVIDED SUBJECT TO RETURN. IT IS ISSUED IN STRICT CONFIDENCE AND SHALL NOT BE REPRODUCED, OR COPIED, OR DISCLOSED IN WHOLE OR IN PART, OR USED AS THE BASIS FOR THE MANUFACTURE OR SALES OF APPARATUS OR PARTS TO WHICH THE DOCUMENT RELATES, WITHOUT THE EXPRESS WRITTEN CONSENT OF ITT INDUSTRIES, INC., OR ITS SUBSIDIARY. THIS LEGEND SHALL BE MARKED ON ANY REPRODUCTION HEREOF, IN WHOLE OR IN PART. ALL RIGHTS TO THE INFORMATION AND DESIGN DISCLOSED HEREIN ARE RESERVED TO ITT INDUSTRIES, INC., OR ITS SUBSIDIARY.



UNLESS OTHERWISE NOTED		WEIGHT		SCALE	
INCH	MM			NTS	BY
X = ± 0.06	[X] = ± [.76]				
XX = ± 0.03	[XX] = ± [.38]				
.XXX = ± 0.005	[.XXX] = ± [.127]				
X/X = ± 1/16					
X° = ± .5°	X° = ± .5°				
X' = ± .5'	X' = ± .5'				

REMOVE ALL BURRS AND SHARP EDGES. MACHINED SURFACES TO BE \sqrt{R} EXCEPT AS NOTED.

DATE	BY
3-17-04	AS
3-18-04	RC
3-18-04	RC

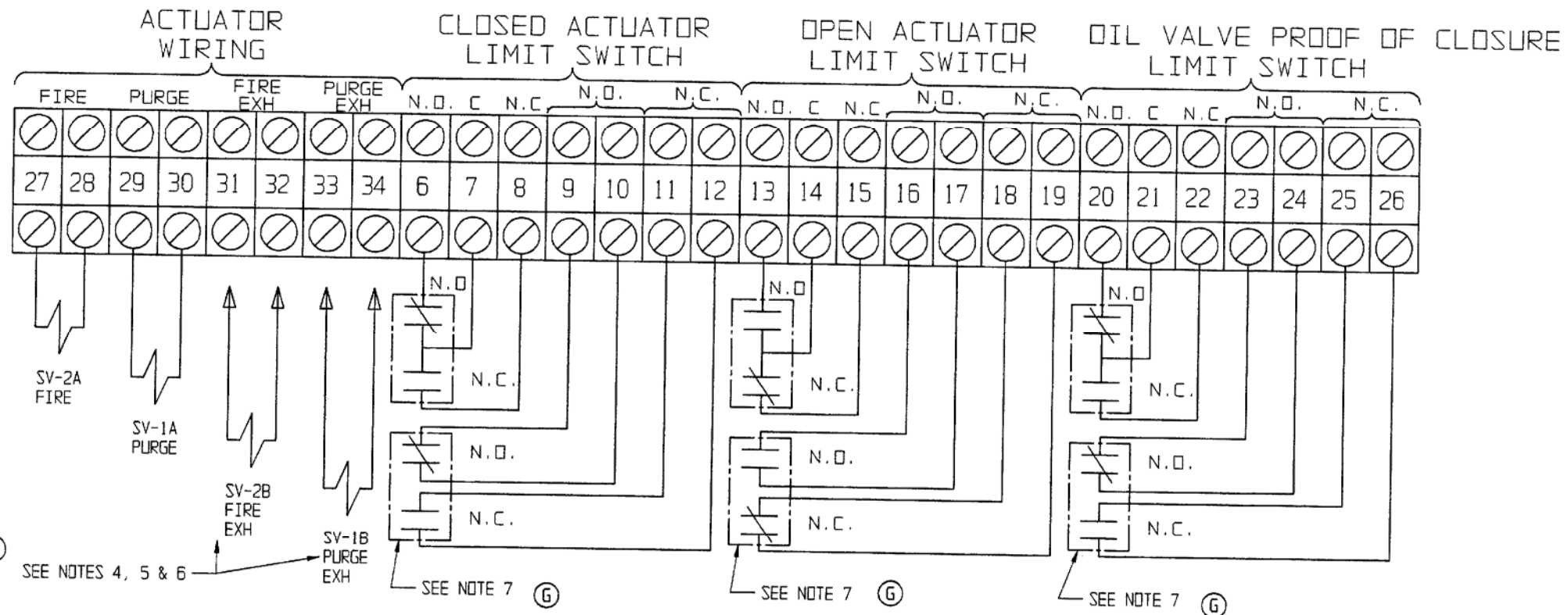
WIRING DIAGRAM
DIL BURNER VALVE
PNEUMATIC - AC SOLENOIDS

SUPERSEDES: -

ITT Industries
Engineered Valves
Lancaster, PA USA

SIZE	DRAWING NUMBER	SHEET	REV
C	60-008	1 OF 1	G

FILE COPY



SWITCH LOGIC

SWITCH TYPE	CLOSED ACTUATOR (SPDT)		CLOSED ACTUATOR (DPDT)				OPEN ACTUATOR (SPDT)		OPEN ACTUATOR (DPDT)				P.O.C. SPDT		OIL P.O.C. (DPDT)			
TERMINALS	6-7	7-8	6-7	7-8	9-10	11-12	13-14	14-15	13-14	14-15	16-17	18-19	20-21	21-22	20-21	21-22	23-24	25-26
POSITION: CLOSE																		
POSITION: PURGE																		
POSITION: FIRE																		

NOTES:

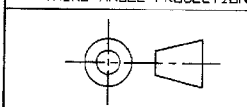
- SOLENOID VOLTAGE IS D.C.
- ALL SWITCHES SHOWN WITH MAIN VALVE IN CLOSED POSITION.
- SEE ORDER SPECIFICATION FOR SOLENOID VOLTAGE RATING.
- FOR T506, T1006 OR T2006, FAIL CLOSED, SV-1B & SV-2B (EXHAUST COILS) ARE NOT SUPPLIED. SOLENOIDS REQUIRE MAINTAINED CONTACT SWITCHES.
- FOR T505, T1005 OR T2005, FAIL IN LAST POSITION, SV-1B & SV-2B (EXHAUST COILS) ARE SUPPLIED. SOLENOIDS REQUIRE MOMENTARY CONTACT SWITCHES.
- (G) FOR T1007, FAIL IN LAST FIRE, FAIL CLOSED PURGE, SV-1B (EXHAUST COIL) IS NOT SUPPLIED. PURGE SOLENOID REQUIRES MAINTAINED CONTACT SWITCH, FIRE SOLENOID REQUIRES MOMENTARY CONTACT SWITCH.
- (G) WIRING SHOWN FOR DPDT SWITCHES FOR SPDT SWITCHES DELETE WIRE NO'S 9, 10, 11, 12, 16, 17, 18, 19, 23, 24, 25, 26.
- (G) FOR PURGE INDICATION, WIRE N.C. CONTACTS OF OPEN ACTUATOR AND CLOSED ACTUATOR LIMIT SWITCHES IN SERIES.

THIS IS A FACTORY MUTUAL CONTROLLED DOCUMENT. CHANGES MUST BE APPROVED BY FM PRIOR TO IMPLEMENTING.

ECN#8319

THIS DOCUMENT IS THE SOLE PROPERTY OF ITT INDUSTRIES, INC., OR ITS SUBSIDIARY, AND IS PROVIDED SUBJECT TO RETURN. IT IS ISSUED IN STRICT CONFIDENCE AND SHALL NOT BE REPRODUCED, OR COPIED, OR DISCLOSED IN WHOLE OR IN PART, OR USED AS THE BASIS FOR THE MANUFACTURE OR SALES OF APPARATUS OR PARTS TO WHICH THE DOCUMENT RELATES, WITHOUT THE EXPRESS WRITTEN CONSENT OF ITT INDUSTRIES, INC., OR ITS SUBSIDIARY. THIS LEGEND SHALL BE MARKED ON ANY REPRODUCTION HEREOF, IN WHOLE OR IN PART. ALL RIGHTS TO THE INFORMATION AND DESIGN DISCLOSED HEREIN ARE RESERVED TO ITT INDUSTRIES, INC., OR ITS SUBSIDIARY.

THIRD ANGLE PROJECTION



UNLESS OTHERWISE SPECIFIED, ALL DIMENSIONS ARE IN INCHES

UNLESS OTHERWISE SPECIFIED, ALL DIMENSIONS IN BRACKETS ARE MILLIMETERS. PATTERN NO. -

UNLESS OTHERWISE NOTED
 INCL. MM
 X = ± 0.06
 X = ± 0.03 [X] = ± [.76]
 .XX = ± 0.02 [X] = ± [.5]
 .XXX = ± 0.005 [X] = ± [.12]
 X/X = ± 1/16
 X° = ± 5° X° = ± 15°
 REMOVE ALL BURRS AND SHARP EDGES. MACHINED SURFACES TO BE \sqrt{R} EXCEPT AS NOTED.

WEIGHT
 SCALE
 NTS
 DATE BY
 DWN 3-17-04 AS
 CHKD 3-18-04 MJA
 APVD 3-18-04 MJA

WIRING DIAGRAM
 OIL BURNER VALVE
 PNEUMATIC - DC SOLENOIDS
 SUPERSEDES: -

ITT Industries
 Engineered Valves
 Lancaster, PA USA

SIZE C DRAWING NUMBER 60-009 SHEET 1 OF 1 REV G

FILE COPY