

SCR Reheaters

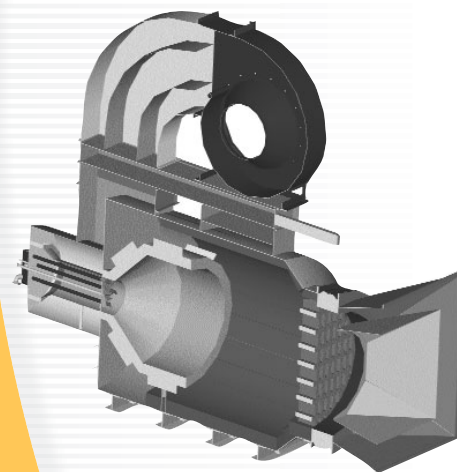
Ensure Maximum SCR efficiency on low load swings with Forney's SCR Reheaters.

Power plants must meet both stringent NO_x reduction regulation and their customers' needs of varying electricity demands by reducing their boiler's steam production. Reducing boiler load causes lower flue gas temperatures reducing the operating abilities of NO_x control equipment such as selective catalytic reduction (SCR) reactors. Forney Corporation utilized its vast combustion experience to develop a line of SCR reheaters to supplement flue gas temperatures. When firing conditions dictate the need for this additional heat, Forney's SCR reheaters pump heat into the flue gas stream, thereby maintaining a flue gas temperature that ensures maximum SCR efficiency. Forney can design a system for any configuration using one of three solutions, sure to satisfy your installation requirements.

Forney was the first to introduce an external firing solution. This remedy is ideal for high ash environments because it eliminates the problems of slagging, ash build-up, and burner fouling by designing the combustion equipment to operate outside the boiler flue gas duct. Also, the external burners do not increase system pressure drop, making them ideal for retrofit applications.

When boiler arrangement or customer preference does not permit an external SCR reheater system, particularly in low dust flue gas streams, Forney's reliable duct burner provides a compact in-duct burner system for flue gas temperature control. The duct burner solution minimizes heat input requirements and ongoing operating costs by providing reliable and even heat distribution for effective SCR operation.

Forney's Perimeter-firing system combines the benefits of both in-duct and external duct firing solutions. Strategically mounted directly on the flue gas duct work, perimeter burners inject a high velocity, high temperature stream directly into the flue gas creating excellent heat distribution to the SCR, in either low or high dust applications.



- **CUSTOMIZED SOLUTION** - offering external, in-duct, or perimeter fired SCR reheater systems. Our engineers will custom design and integrate the system appropriate for your plant.
- **CFD MODELING** - Forney engineering can perform CFD modeling of heat distribution to assure efficient SCR operation.
- **EXPERIENCE** - Forney technologies are proven in SCR and other firing applications around the world.
- **REDUCED INSTALLATION AND CAPITAL EXPENDITURE COST** - Compared to installing an economizer bypass system, a flue gas reheat system can save expense on installation and the loss of efficiency experienced with an economizer bypass system.
- **SERVICE** - Forney service engineers provide start-up expertise and periodic maintenance capabilities to ensure your equipment operates reliably.



SCR Reheaters

	<u>External</u>	<u>Induct</u>	<u>Perimeter</u>
Type:	Duct Burner Register Style Burner	Duct Burner	High Velocity Burner
Applications:	High or low dust environments Space limited (register style)	Low dust environments Augment air system	High or low dust environments Short mixing length
Fuel Consumption:		Minimal fuel consumption	Minimal fuel consumption
Installations:	Modular Installation		Installed directly onto flue gas duct.

Accessories

Forney is a leading supplier of burner accessories for the utility burner market. Thousands of Forney igniters, scanners, and oil guns are installed in utility boilers every year. These same components are incorporated into Forney's burners for utility burner performance and reliability. Available accessories include:

- **Igniters** - Natural gas fired, No. 2 oil fired, or direct spark ignition
Class 1, 2 or Class 3 applications
High tension (6000 V) or High Energy ignition (12 joules per spark, 3 sparks per second)
- **Scanners** - Full line of flame scanners for every application.
- **Oil Guns** - Steam atomized, air atomized, and mechanical atomized to meet a wide range of needs.
- **Fuel Trains** - Pneumatic or motorized valves, NEMA 12, NEMA 4, or explosion-proof enclosures.
- **Burner Management Systems** - Fireeye E-110, Fireeye Nexus, or PLC-based. Forney combustion control systems based on single-point positioning, parallel positioning, or fully metered control strategies.
- **Dilution Air Heater** - Grid style burner with duct work for ammonia vaporization in ammonia injection grid. Complete with fuel skid and Burner Management System (BMS).
- **Fans** - Skid mounted or ship loose fans to supply combustion air for grid register, high velocity, and/or dilution air heater systems. Fans will be sized based upon required heat input.
- **Dilution Air Blower Skid** - Forney also supplies skid mounted blower assemblies which supply air to the dilution air burner system. Blowers are sized to ensure the air flow meets the requirements for proper ammonia vaporization.
- **CEmplicity** - Low cost process control system for ammonia slip control.